

**Model COUP3DB500W - COUP3DB2KW -  
COUP3DB5KW - COUP3DB10KW -  
COUP3DB20KW - COUP3DB45KW -  
COUP3DB80KW - COUP3DB120KW**

- **-3dB COUPLERS**
- **FM BAND 87.5-108 MHz**
- **BAND II**



Model: COUP3DB5KW

**-3 dB couplers to realize double bridge combiner type**

**GENERAL SPECIFICATIONS**

<b>Working Temperature</b>	-20°C ÷ +50°C
<b>Colour</b>	Enamel Gray ral 7001
<b>Materials</b>	Aluminium, Brass, Copper, PTFE, Stainless Steel, Silvering (min 12µm thickness)

**TYPICAL SPECIFICATIONS**

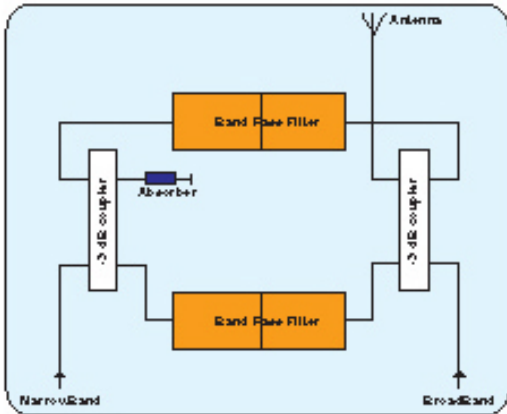
Model	COUP3DB500W	COUP3DB2KW	COUP3DB5KW	COUP3DB10KW
<b>Frequency Range</b>	87.5-108 MHz	87.5-108 MHz	87.5-108 MHz	87.5-108 MHz
<b>Directivity</b>	≥ 32dB	≥ 32dB	≥ 32dB	≥ 35dB
<b>Impedance</b>	50 ohm	50 ohm	50 ohm	50 ohm
<b>VSWR ± 150 KHz</b>	1:1.1 max	1:1.1 max	1:1.1 max	1:1.1 max
<b>Return Loss ± 150 KHz</b>	≤ -26 dB	≤ -26 dB	≤ -26 dB	≤ -26 dB
<b>Coupling</b>	-3 dB ± 0.25 dB	-3 dB ± 0.25 dB	-3 dB ± 0.25 dB	-3 dB ± 0.25 dB
<b>Connectors</b>	Input – Output N	Input N - Output 7/16"	Input – Output 7/8"	Input - Output 1+5/8"
<b>Max Power</b>	500 W	2 KW	5 KW	10 KW

**TYPICAL SPECIFICATIONS**

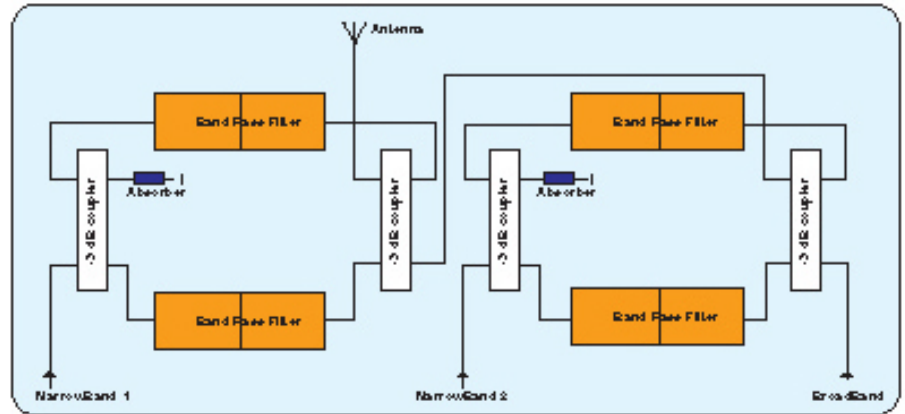
Model	COUP3DB20KW	COUP3DB45KW	COUP3DB80KW	COUP3D120KW
<b>Frequency Range</b>	87.5-108 MHz	87.5-108 MHz	87.5-108 MHz	87.5-108 MHz
<b>Directivity</b>	≥ 35dB	≥ 35dB	≥ 35dB	≥ 35dB
<b>Impedance</b>	50 ohm	50 ohm	50 ohm	50 ohm
<b>VSWR ± 150 KHz</b>	1:1.1 max	1:1.1 max	1:1.1 max	1:1.1 max
<b>Return Loss ± 150 KHz</b>	≤ -26 dB	≤ -26 dB	≤ -26 dB	≤ -26 dB
<b>Coupling</b>	-3 dB ± 0.25 dB	-3 dB ± 0.25 dB	-3 dB ± 0.25 dB	-3 dB ± 0.25 dB
<b>Connectors</b>	Input 1+5/8" Output 3+1/8"	Input 3+1/8" Output 4+1/2"	Input – Output 4+1/2"	Input 4+1/2" Output 6+1/8"
<b>Max Power</b>	20 KW	45 KW	80 KW	120 KW

"These specifications are subject to change without notice"

## TYPICAL APPLICATIONS

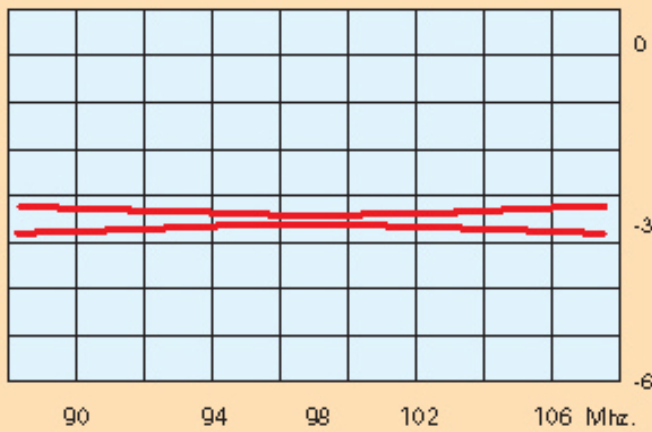


DIPLEXER

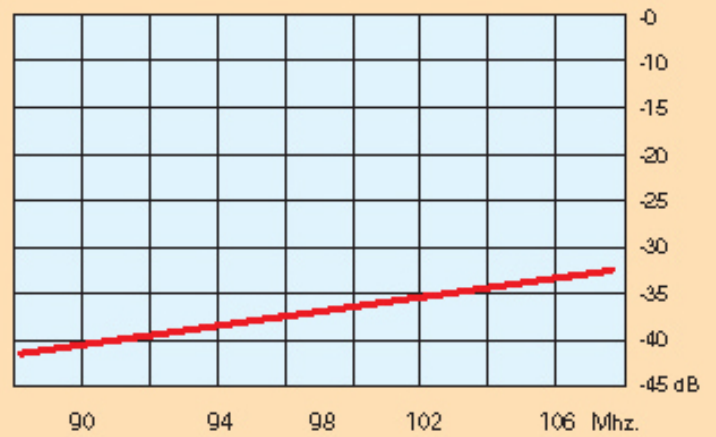


TRIPLEXER

### COUPLING MEASUREMENT



### DIRECTIVITY MEASUREMENT

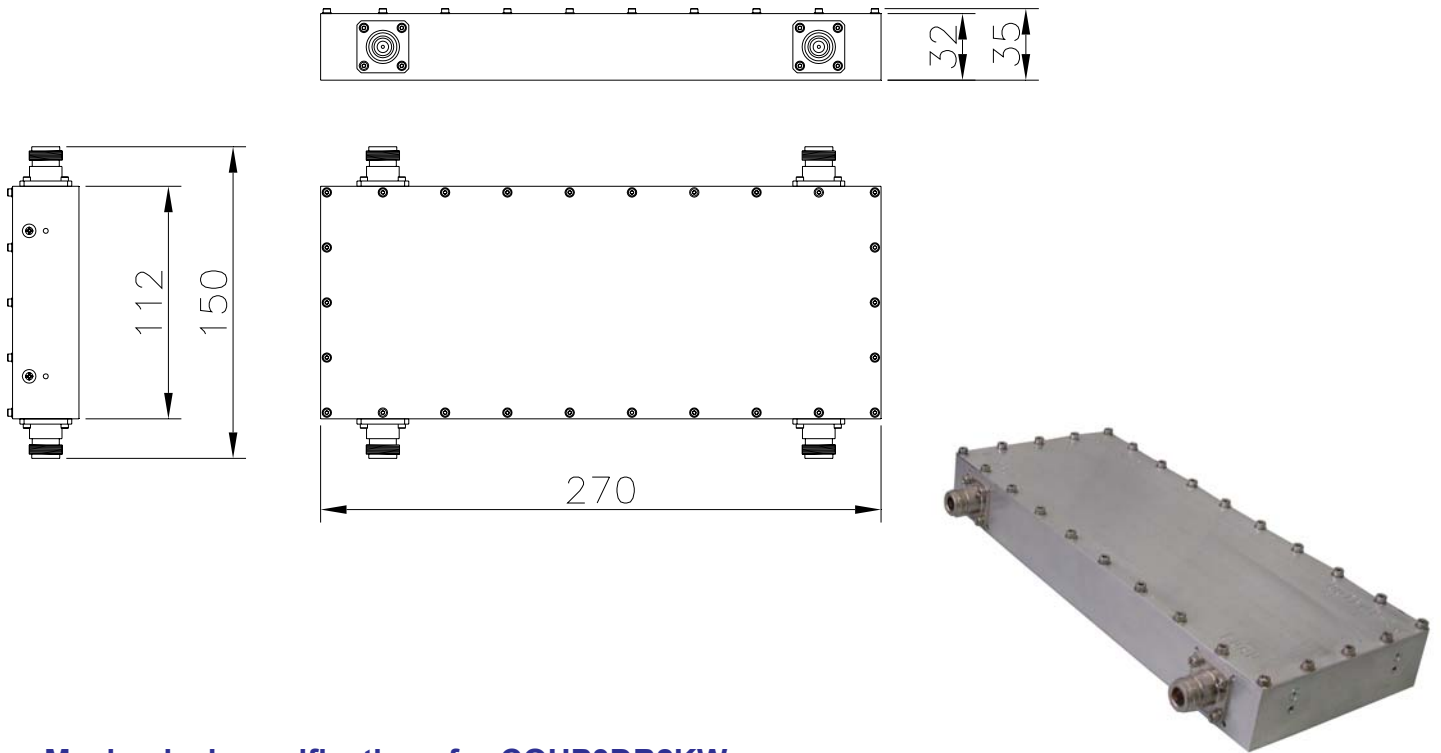


- Special version on request
- Possibility of interchange between the mouths

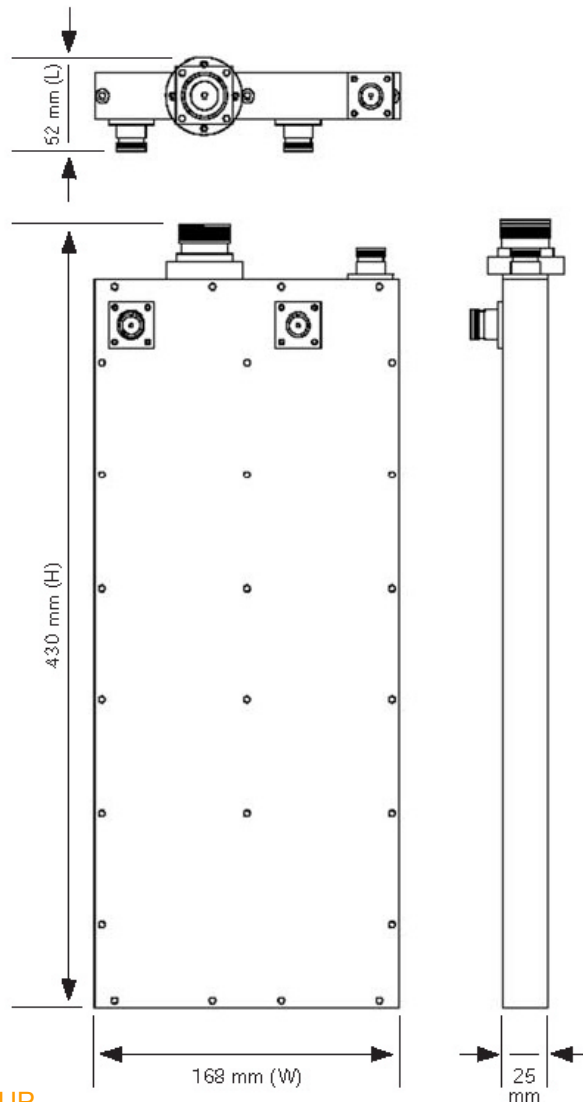
Model	Dimension	Net Weight
COUP3DB500W	270×150×32 mm (10.6×5.9×1.3 inch) (H×L×W)	≅ 2 Kg
COUP3DB2KW	430×168×52mm (16.9×6.6×2.0 inch) (H×L×W)	≅ 3 Kg
COUP3DB5KW	560×260×40 mm (22.0×10.2×1.6 inch) (H×L×W)	≅ 4 Kg
COUP3DB10KW	475×450×80 mm (18.7×17.7×3.1 inch) (H×L×W)	≅ 8 Kg
COUP3DB20KW	520×450×80 mm (20.5×17.7×3.1 inch) (H×L×W)	≅ 9 Kg
COUP3DB45KW	870×330×150 mm (34.2×13.0×5.9 inch) (H×L×W)	≅ 15 Kg
COUP3DB80KW	870×330×200 mm (34.3×13.0×7.9 inch) (H×L×W)	≅ 25 Kg
COUP3DB120KW	964×520×250 mm (37.9×20.7×9.8 inch) (H×L×W)	≅ 45 Kg

(Data approx.)

## Mechanical specifications for COUP3DB500W

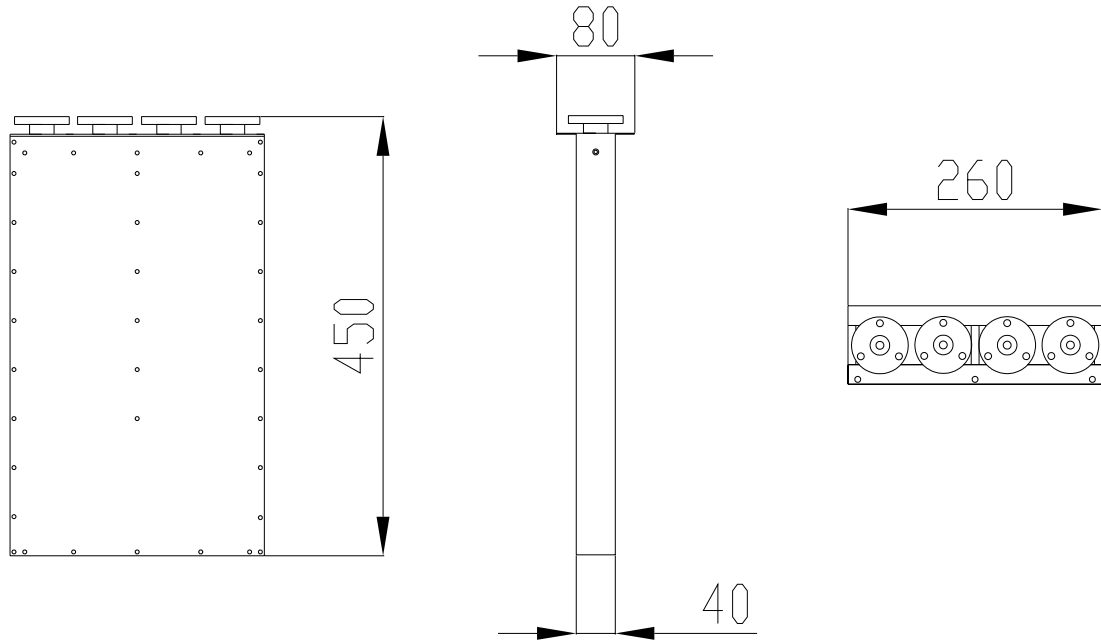


## Mechanical specifications for COUP3DB2KW



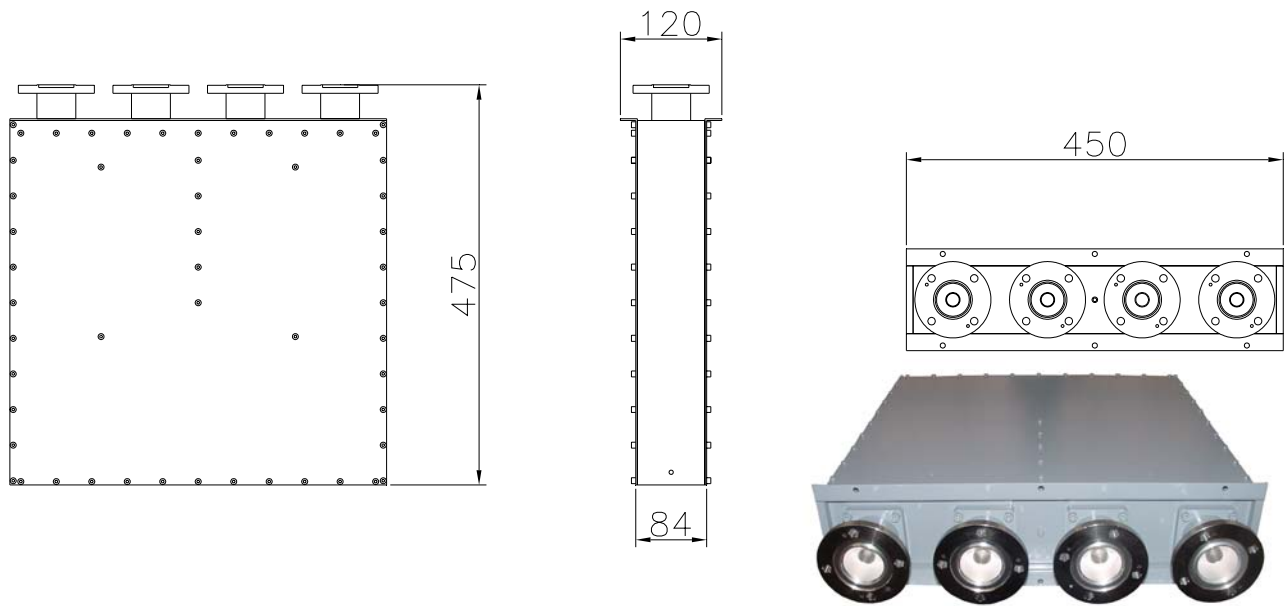
"These specifications are subject to change without notice"

**Mechanical specifications for COUP3DB5KW**

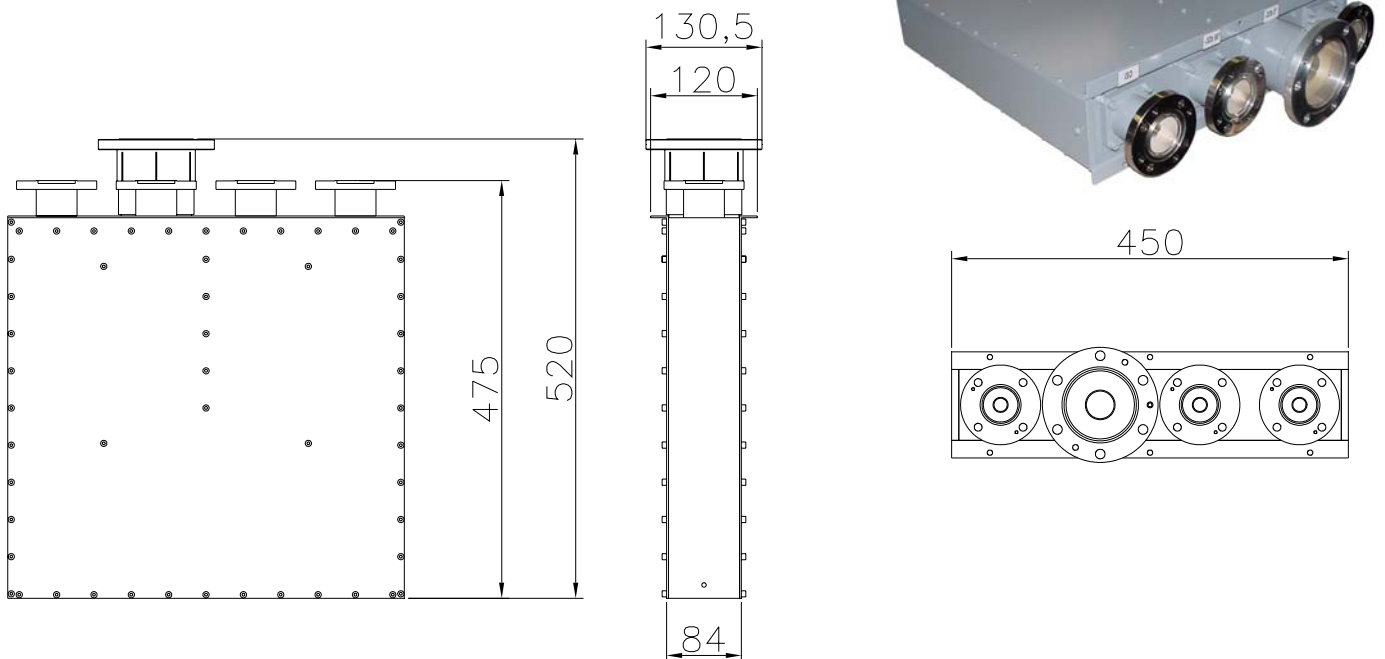


"These specifications are subject to change without notice"

## Mechanical specifications for COUP3DB10KW

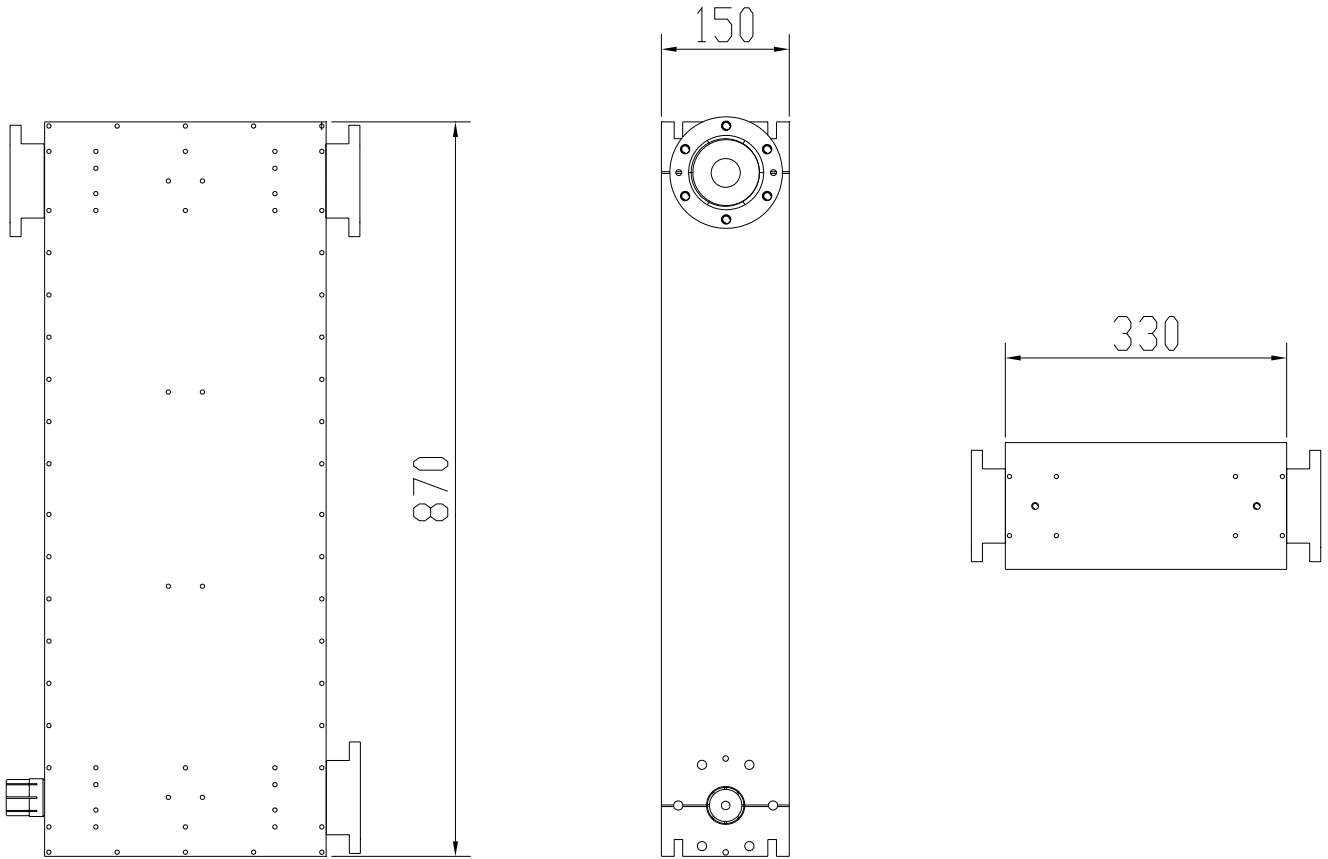


## Mechanical specifications for COUP3DB20KW

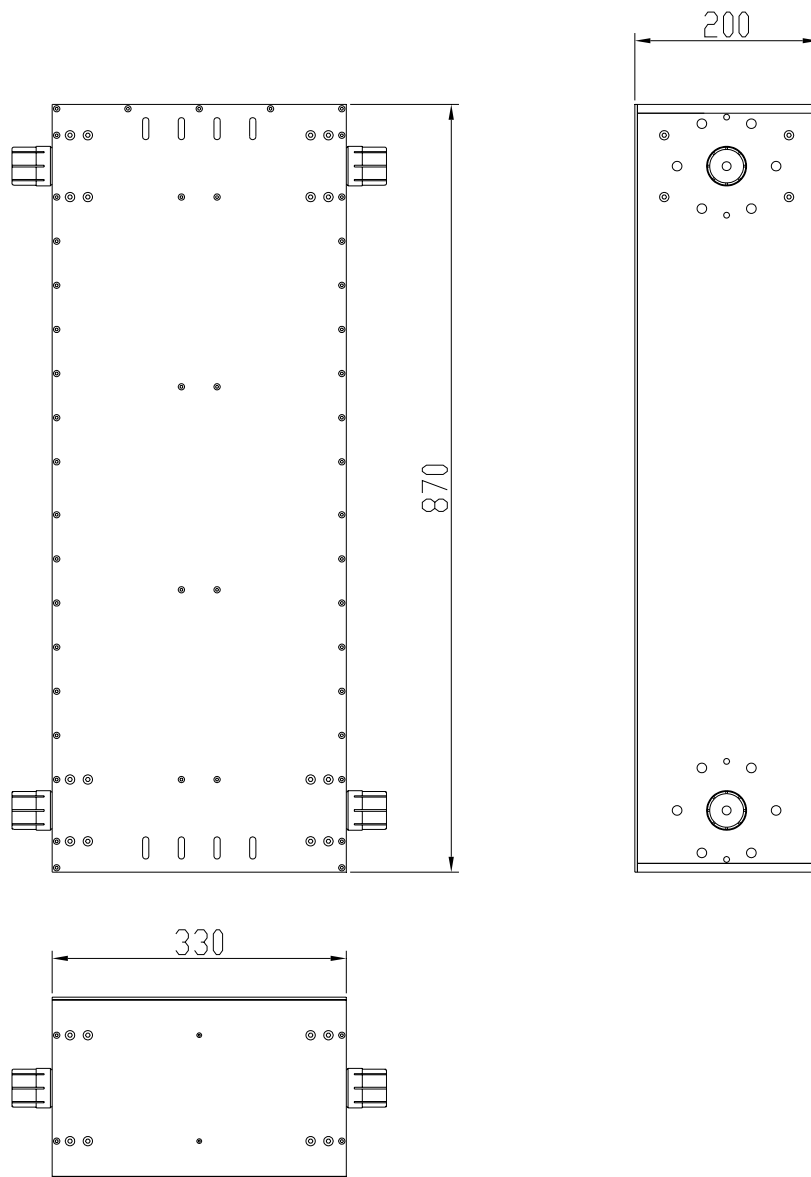


"These specifications are subject to change without notice"

**Mechanical specifications for COUP3DB45KW**

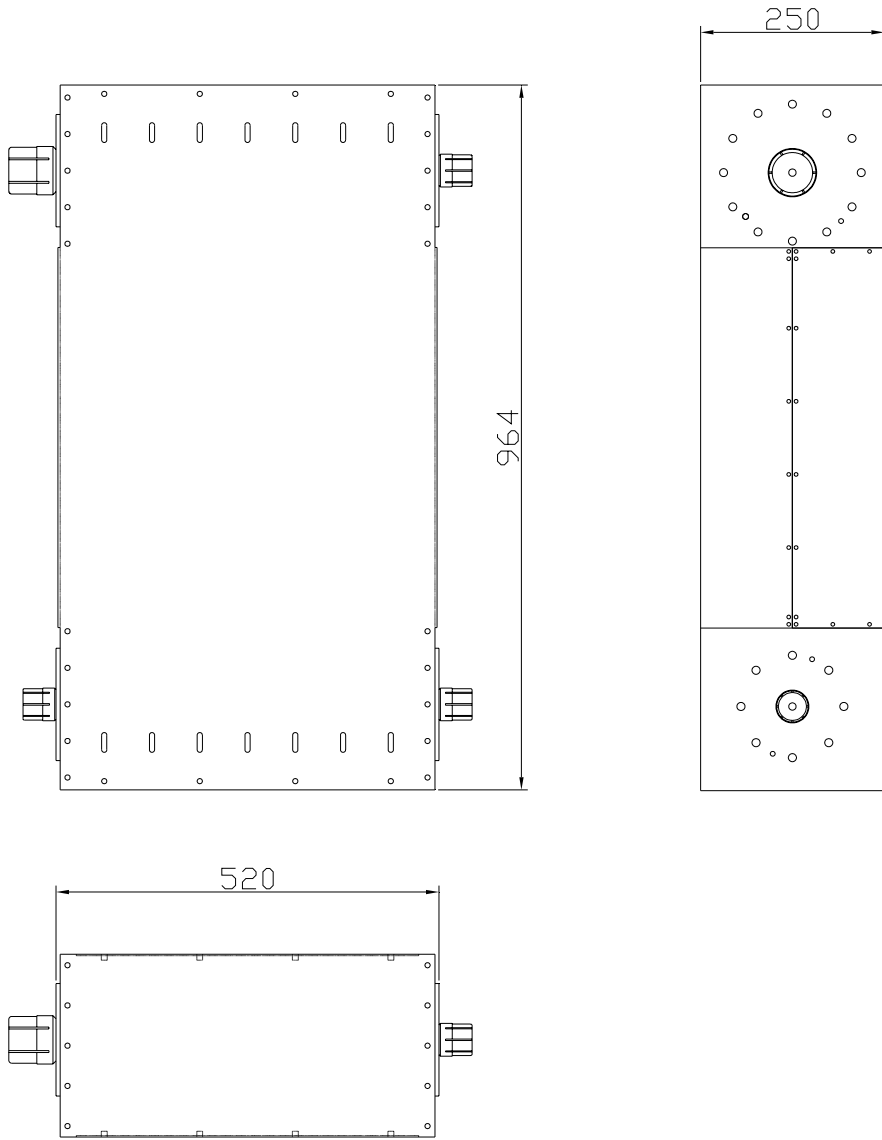


Mechanical specifications for COUP3DB80KW



"These specifications are subject to change without notice"

**Mechanical specifications for COUP3DB120KW**



"These specifications are subject to change without notice"