

UNBALANCED SPLITTER

- Unbalanced Splitter
- FM Band 87.5 ÷ 108 MHz
- Pressurizzabile on request

TYPICAL SPECIFICATIONS

Model	According to type
Impedance	50 Ohm
Frequency Range	87,5 - 108 MHz
VSWR	1.05 : 1 Max
Insertion Loss	0.05 dB Max
Connectors	According to type
Max Power Input	From 100W to 40 KW
Working Temperature	-20°C ÷ +50°C
Colour	Enamel Gray Ral 7001
Materials	Brass, Copper, PTFE, Stainless steel, Silvering (min. 8µm thickness)

IN 1+5/8" OUT 8 7/8" →



← IN 3+1/8" OUT 12 7/8"

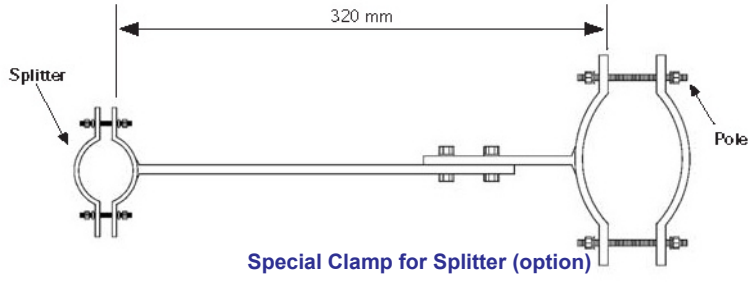


← IN 1+5/8" OUT 4 7/16"

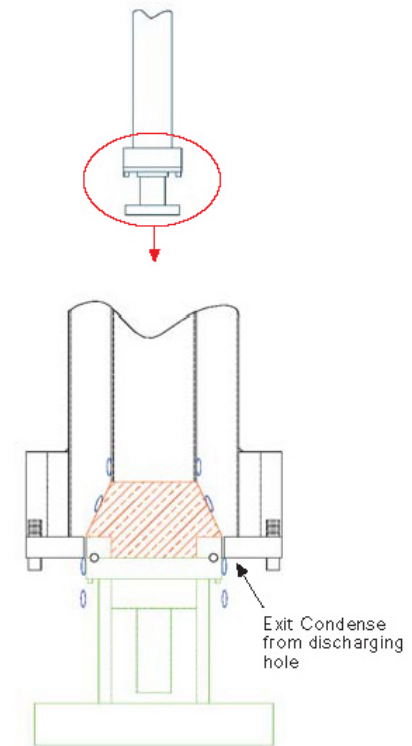
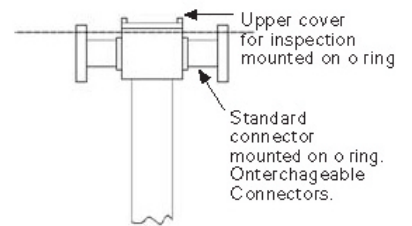
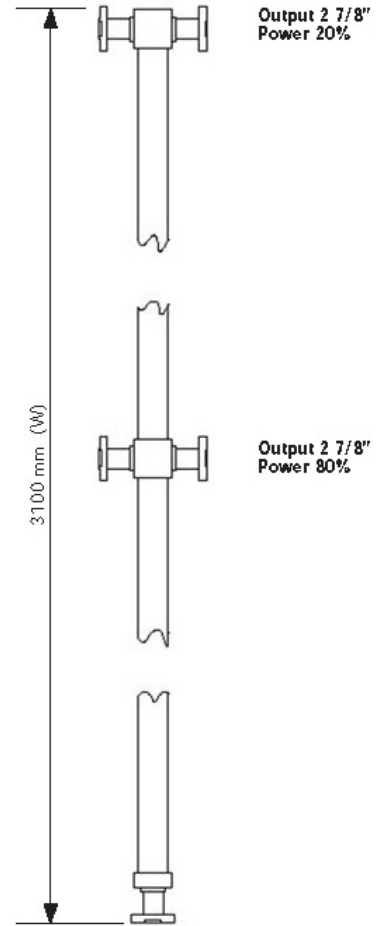


EXAMPLE OF UNBALANCED SPLITTER

"These specifications are subject to change without notice"



Typical return loss curve for splitter model DV1/47/8-7/8



"These specifications are subject to change without notice"