

# MODEL FFC05ELF

- BAND-PASS FILTER
  - IMPEDANCE 50 Ohm
  - FM BAND 87.5 ÷ 108 MHz
  - SPECIAL VERSION WITH SPECIAL DOUBLE CROSS COUPLING
- NO RACK VERSION

This quadruple cavity filter is used to set up starpoint combiners with very low spacing between channels.

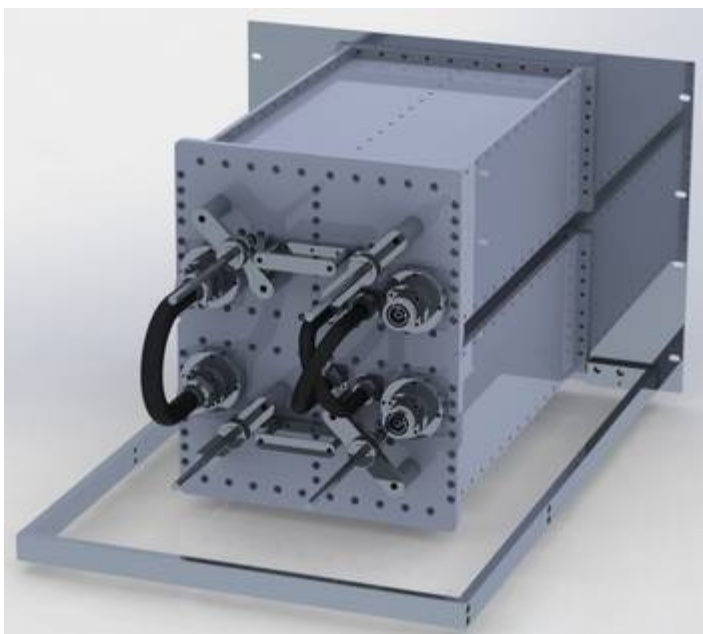
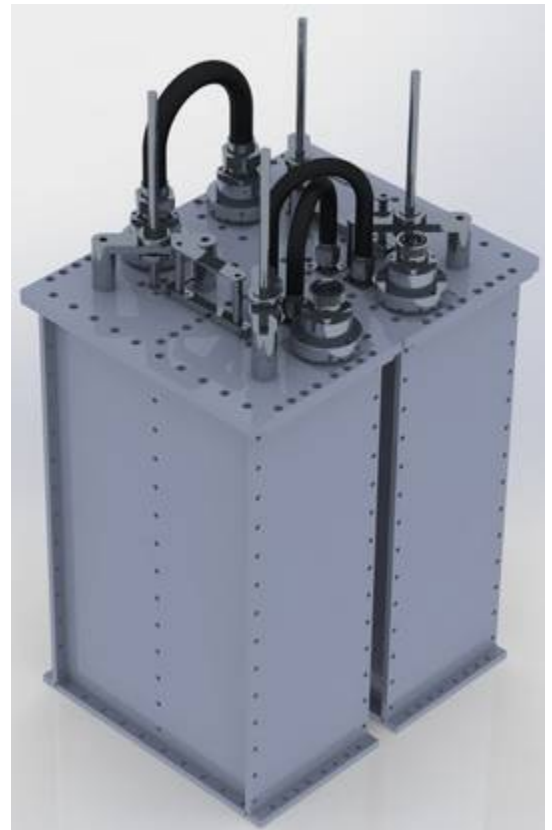
The pass band filters was designed as an extension of our band pass combiner technology. Using our industry-leading square, cavity filter design, the filter provides a one-time-buy filtering solution for the broadcaster located at multiple-user site. The filter isolates the transmission system to eliminate spurious emissions.

### TYPICAL SPECIFICATIONS

<b>Models</b>	FFC05ELF
<b>Impedance</b>	50 ohm
<b>Frequency Range</b>	87.5-108 MHz
<b>VSWR ± 150 KHz</b>	1.1:1 Max
<b>Insertion Loss</b>	at $f_0$ 0.6 – 0.8 dB Max (Depending of adjustment)
<b>Return Loss ± 150 KHz</b>	≤ -26dB
<b>Rejection</b>	per customer's requirements (Typical ± 800 kHz it's even to -40dB approx.adjustable)
<b>Connectors</b>	7-16
<b>Max Power</b>	300 W
<b>Working Temperature</b>	-20°C ÷ +50°C
<b>Colour</b>	Enamel Gray Ral 7001
<b>Materials</b>	Aluminium, Brass, Copper, PTFE, Stainless Steel, Silvering (min 12µm thickness)

### Features:

- Distortion – Free Transmission
- Double Balanced Bridge
- Frequency Independent Input Impedance
- Low Loss, High Isolation
- Natural Convection

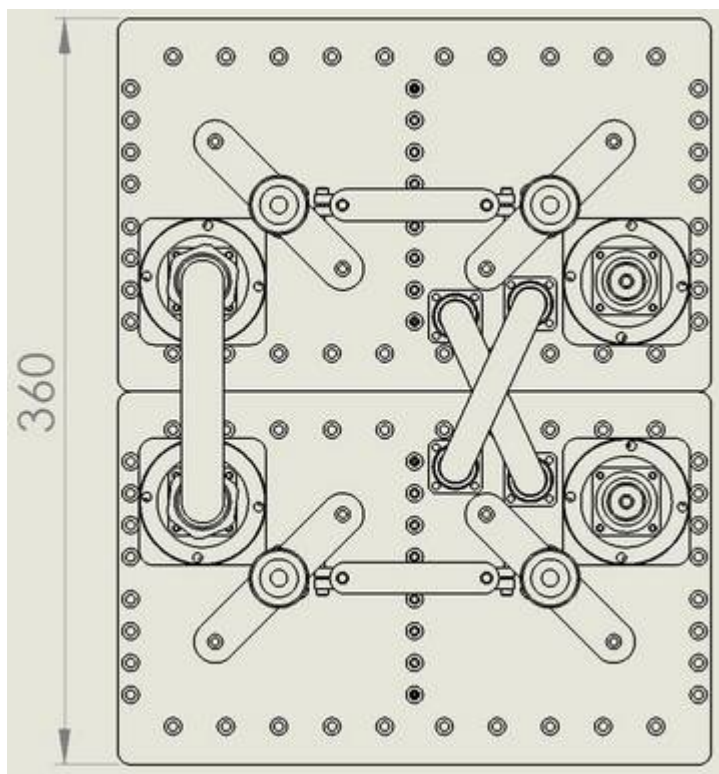
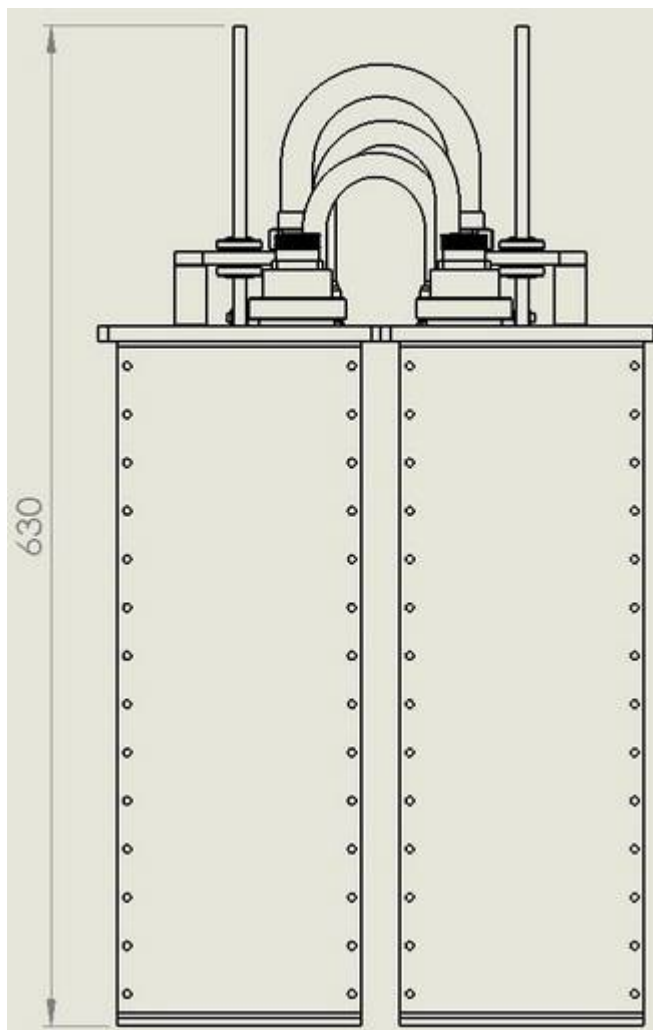


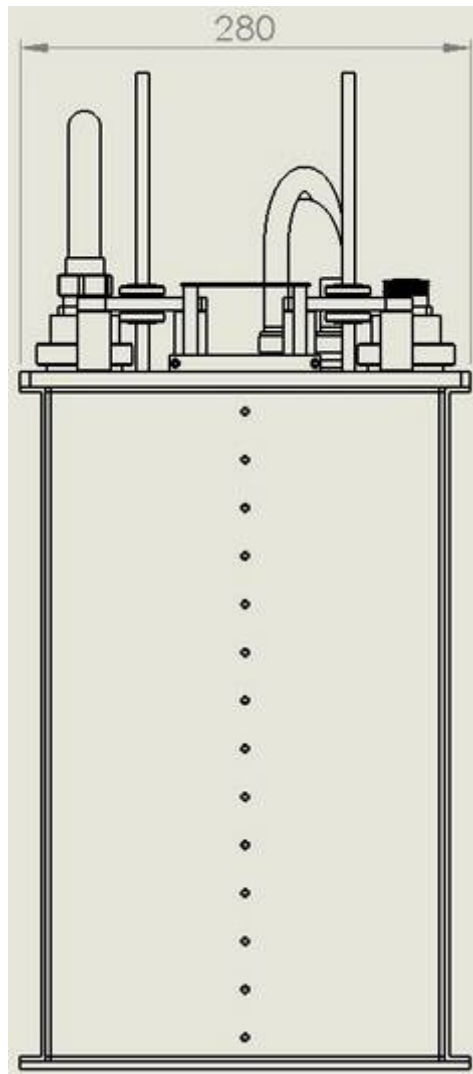
RACK VERSION  
(OPTIONAL)

RACK MOUNTING  
(OPTIONAL)

**DIMENSIONS (mm)**

**NO RACK VERSION**

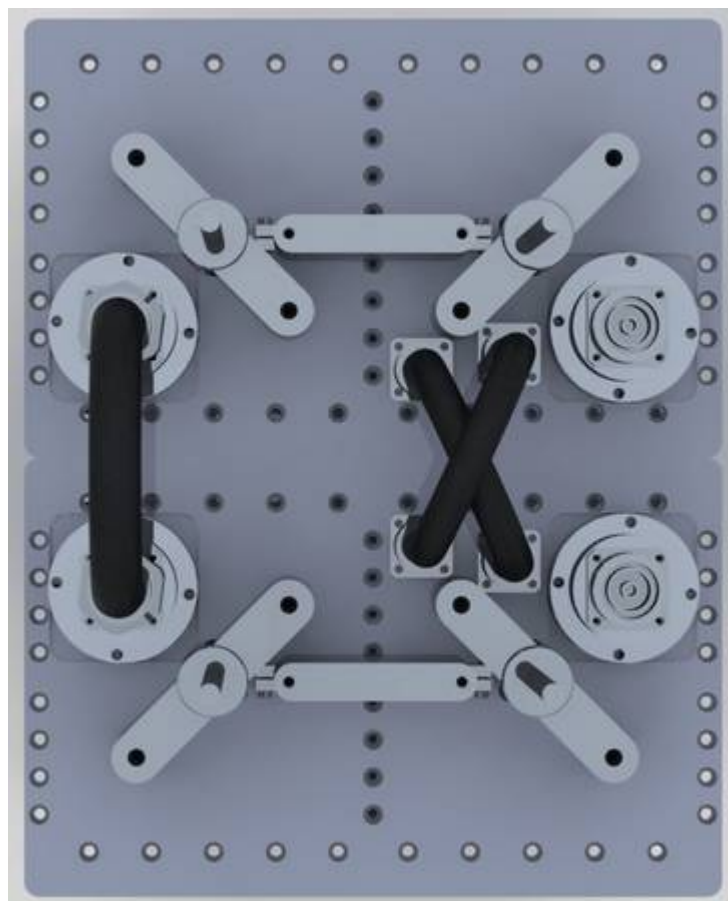
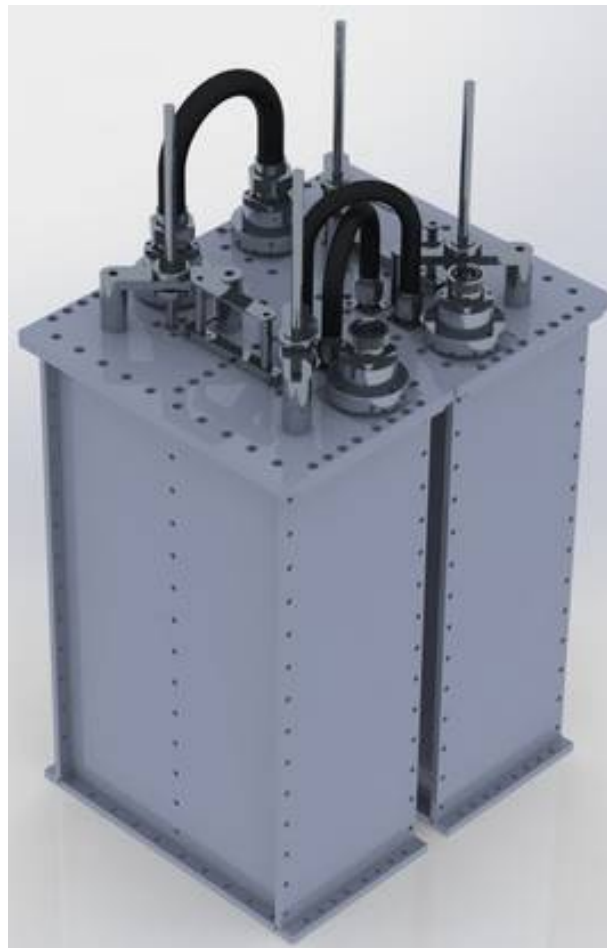


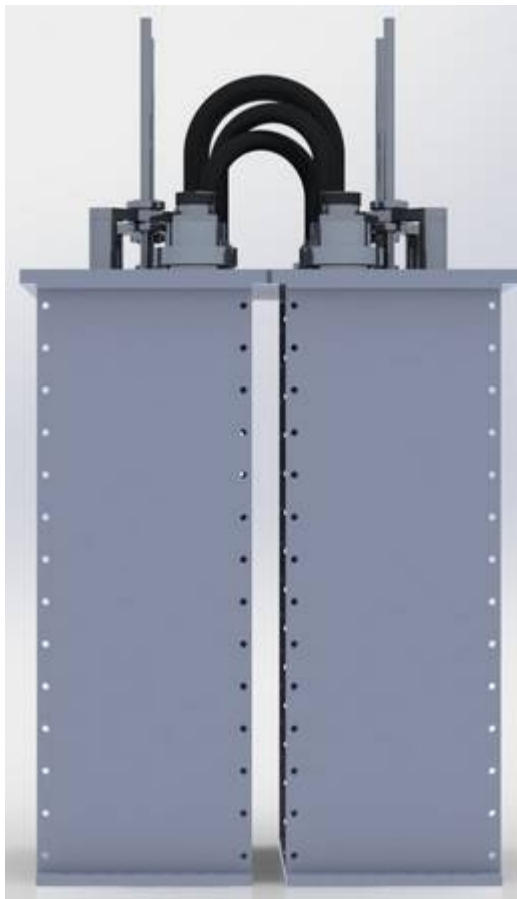


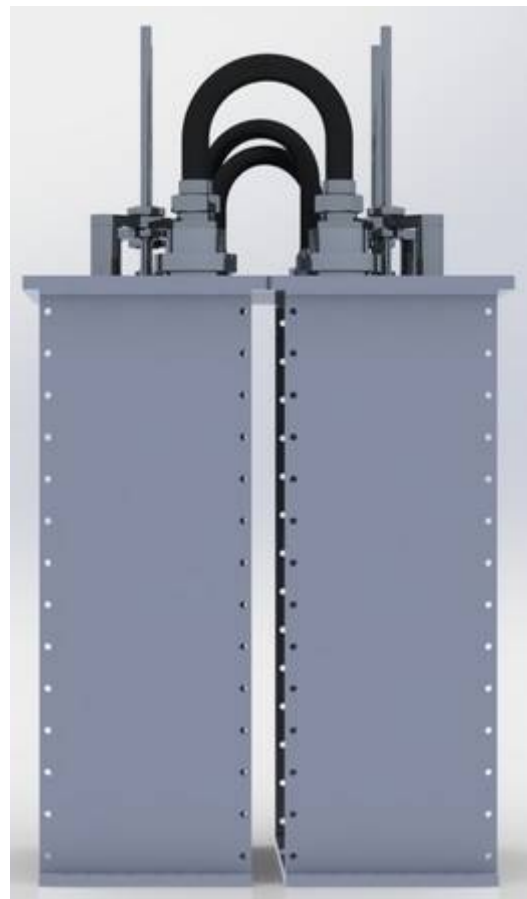
**No rack version**

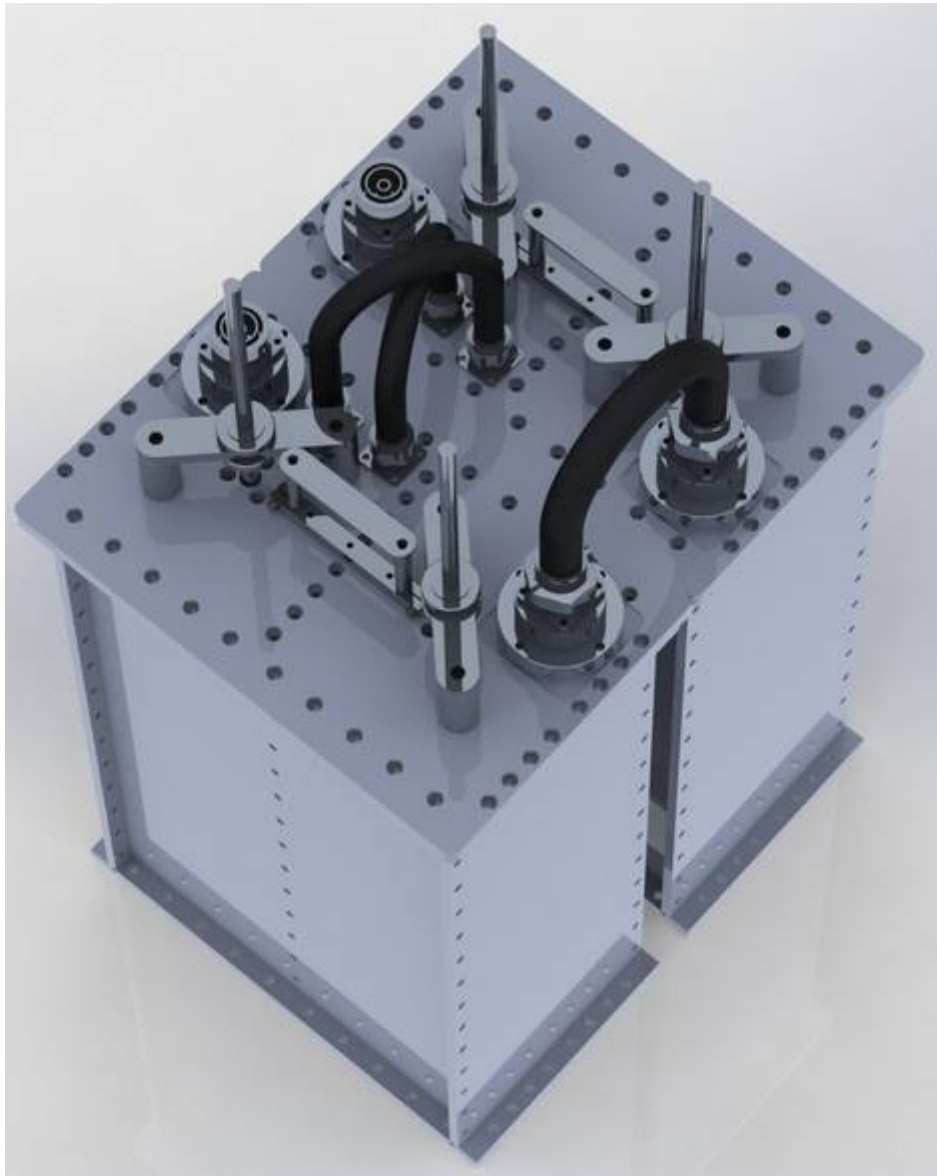
<b>Dimensions</b>	630(Max size)×360×280 mm (24.8(Max size)×14.1×11.0 inch) (H×L×W)
<b>Net Weight</b>	≅ 35 Kg

**VIEWS OF THE SYSTEM  
NO RACK VERSION**

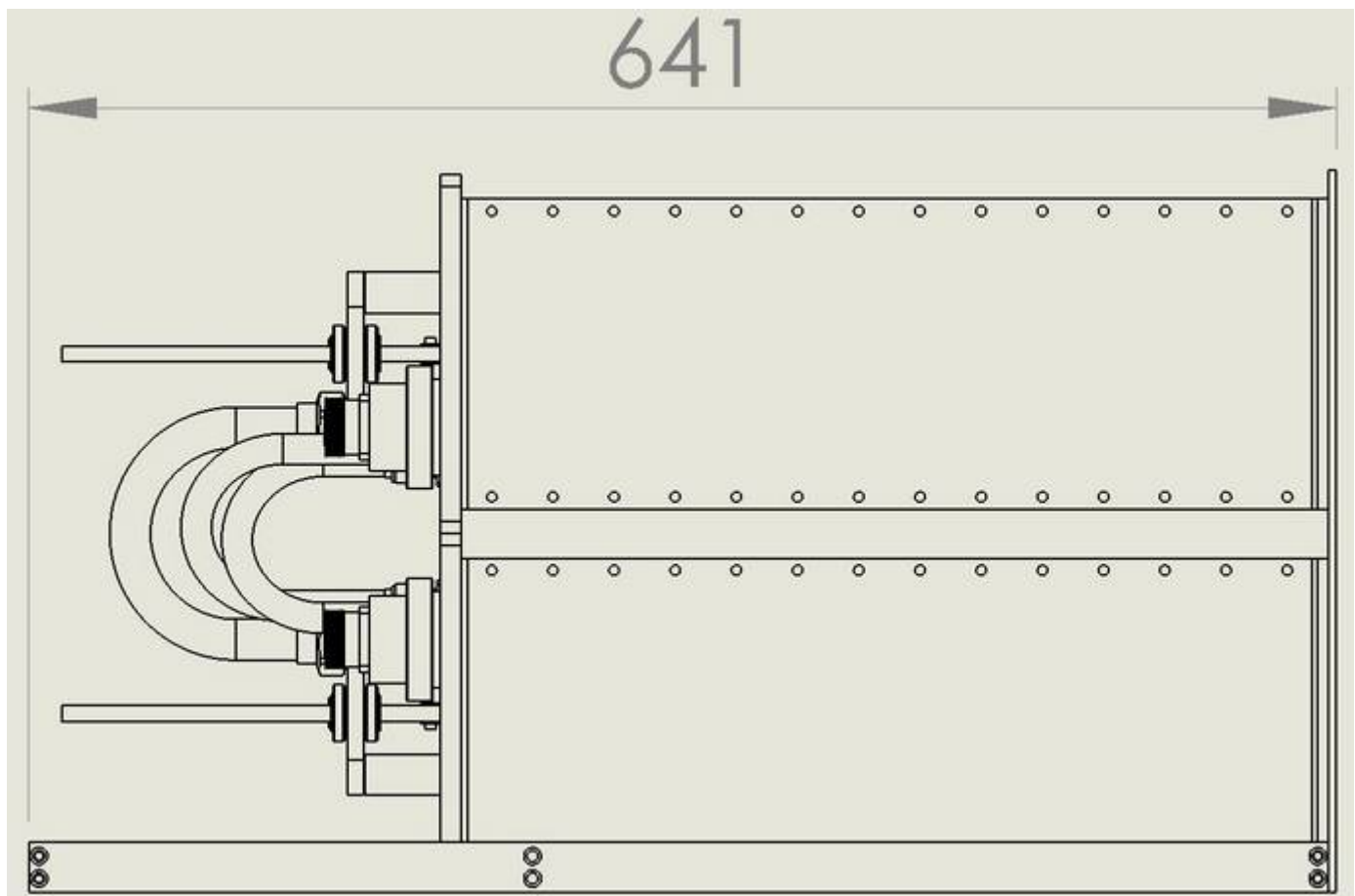
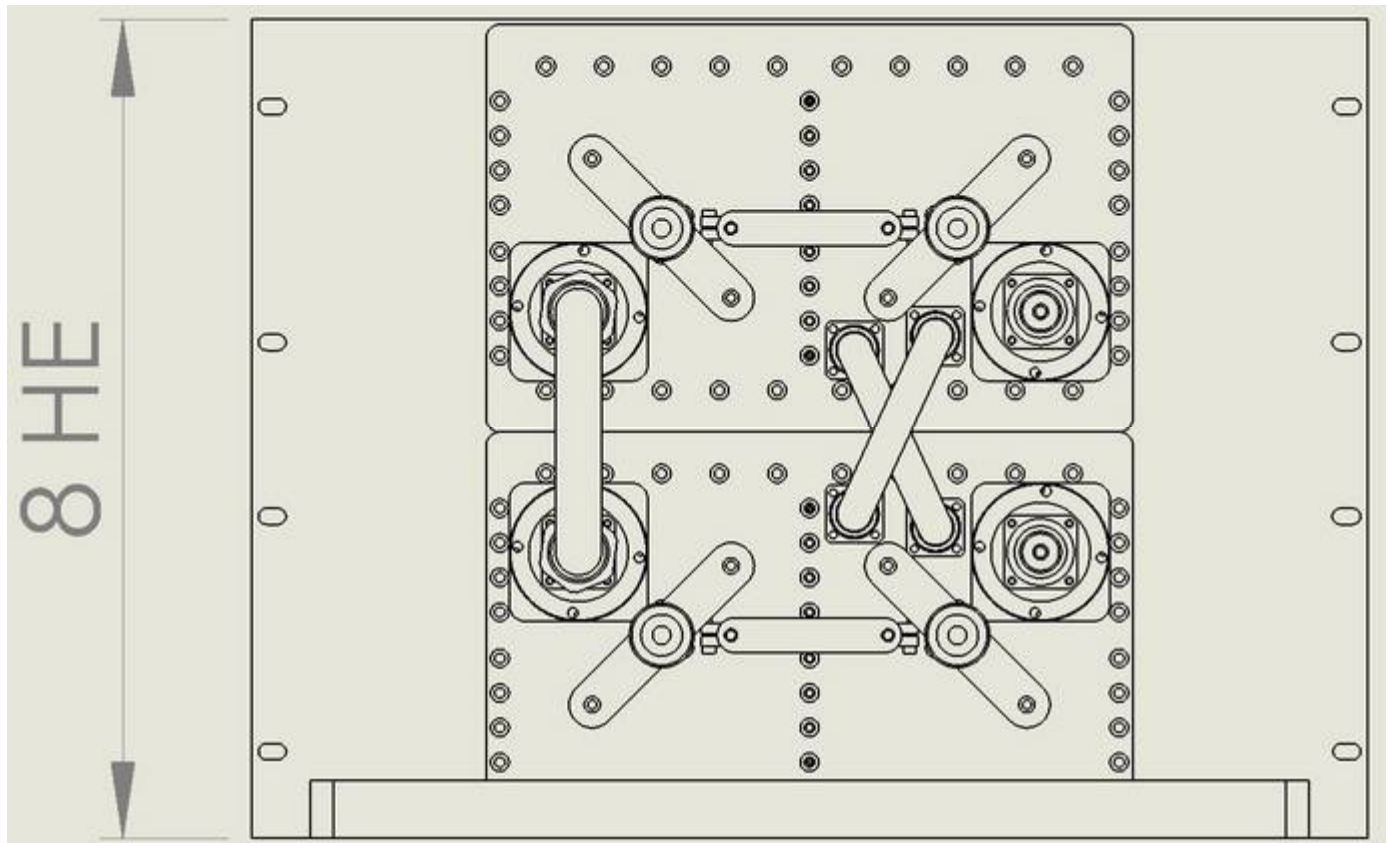




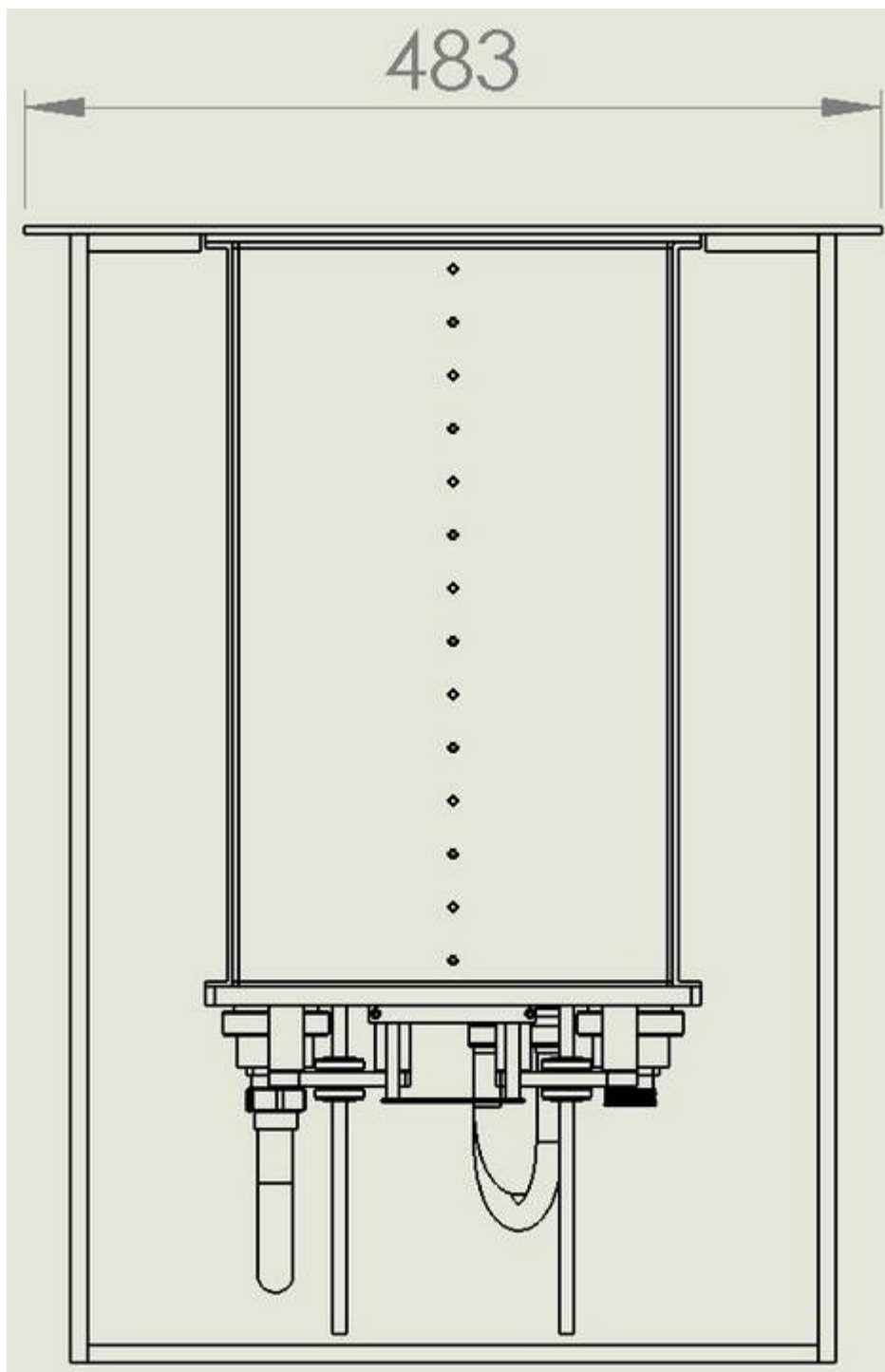




**DIMENSIONS (mm)**  
**RACK VERSION (OPTIONAL)**

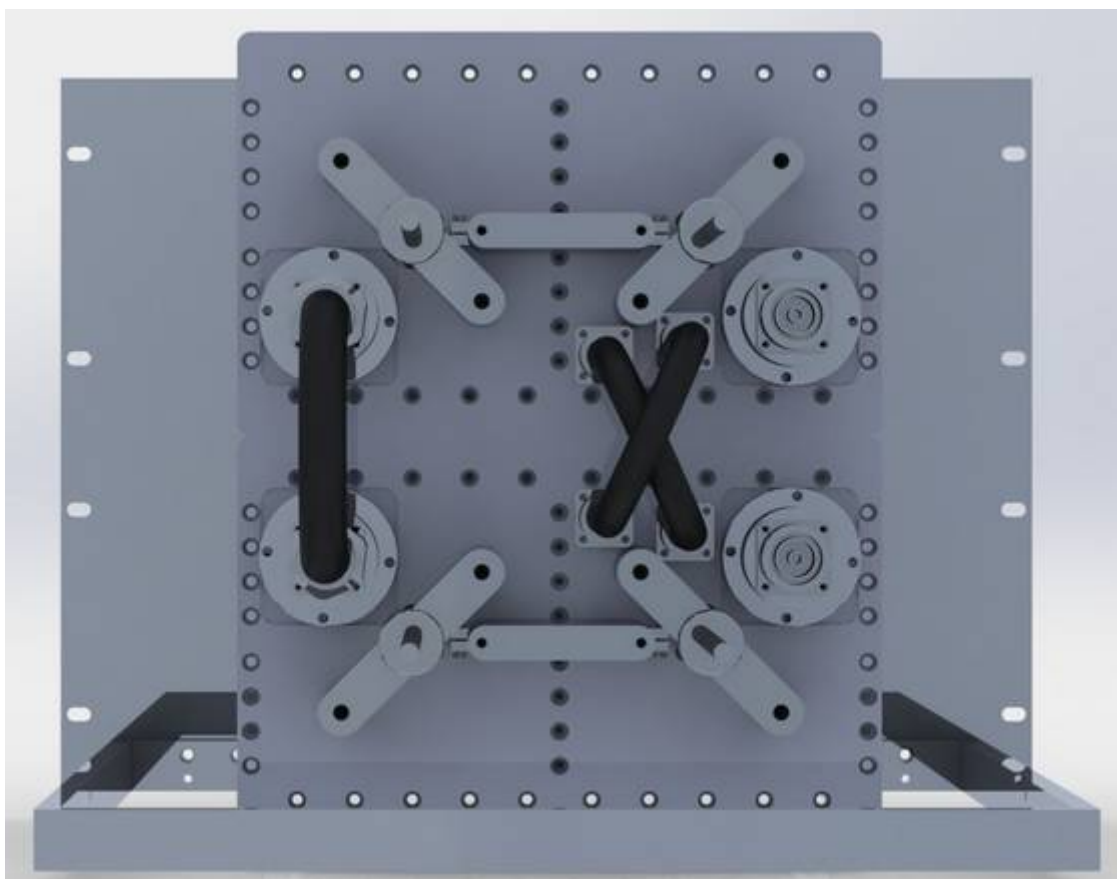
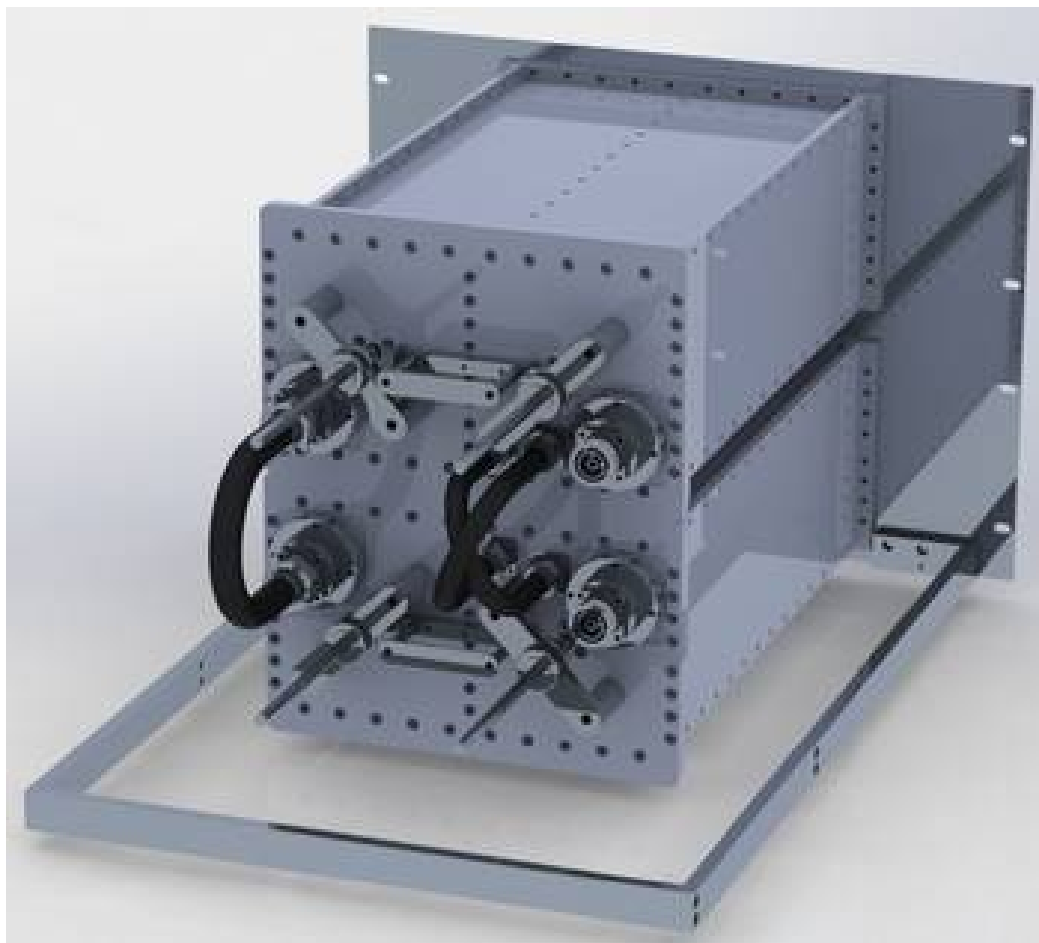


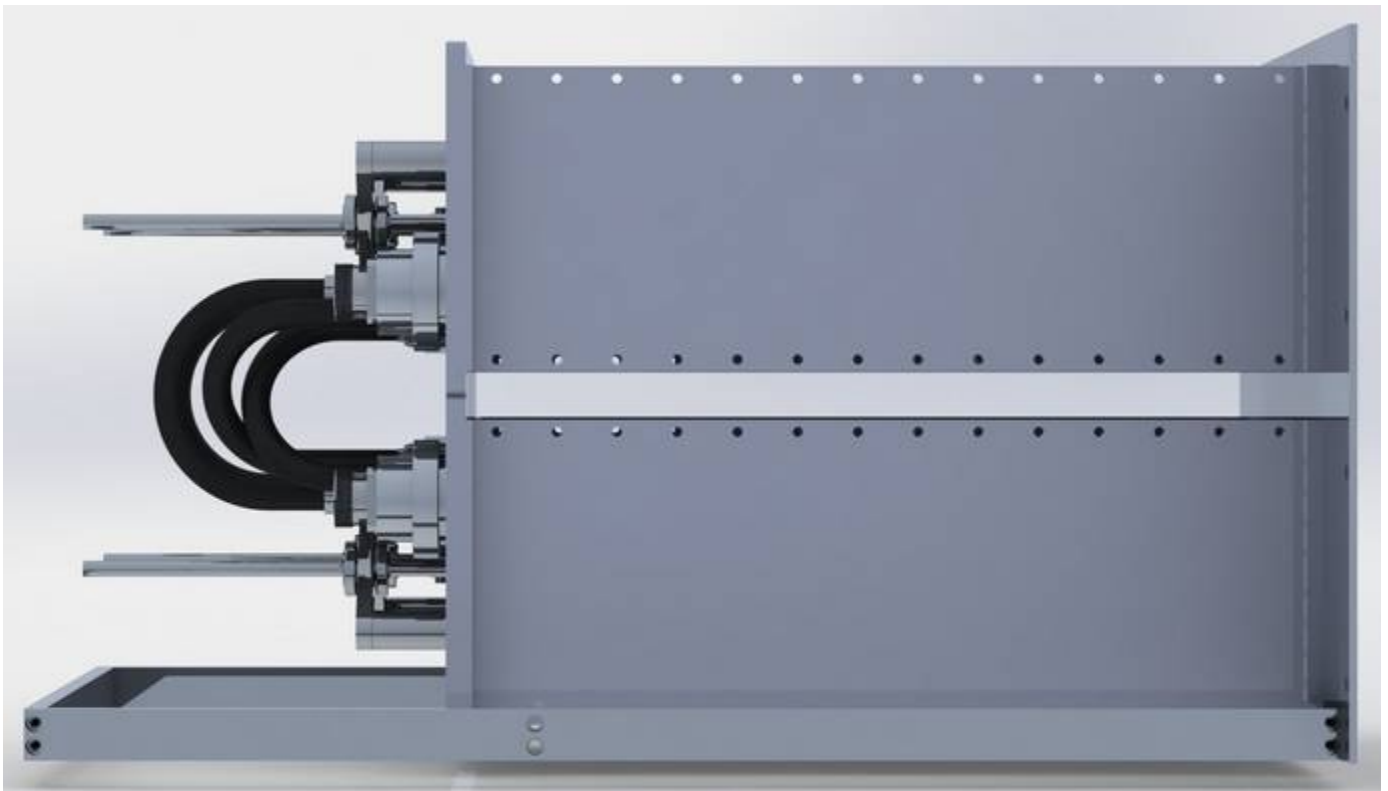
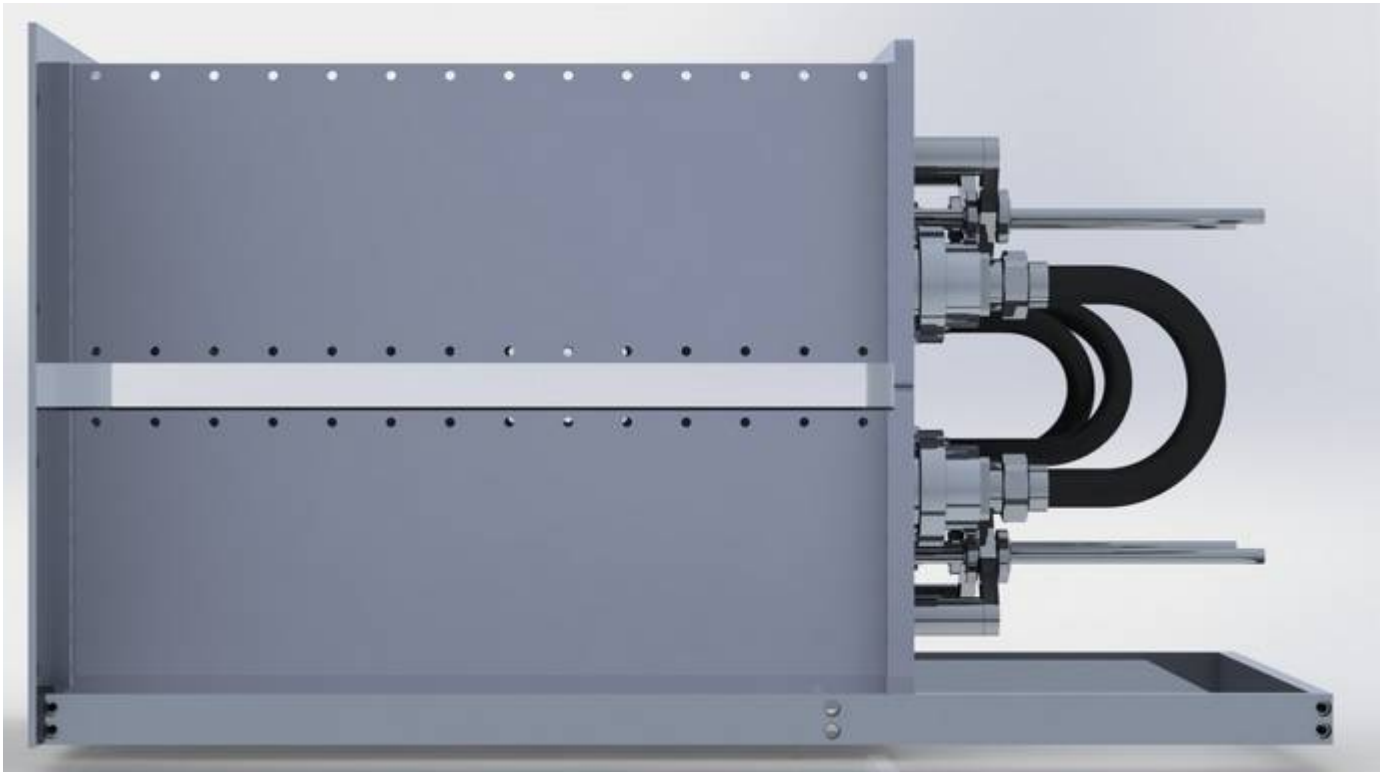


**Rack version (optional)**

<b>Dimensions</b>	8 HE (1 HE=44.45 mm)
<b>Net Weight</b>	≅ 36 Kg

**VIEWS OF THE SYSTEM**  
**RACK VERSION (OPTIONAL)**







## IEWS OF THE SYSTEM

### RACK MOUNTING (OPTIONAL)



*The manufacturer is not liable for any lost profits, damage or claims from third parties incurred due to the use of this manual or the products described in this manual.*

*Il fabbricante non è responsabile per danni, perdite di profitto o qualsiasi pretesa da terze parti incorsi, dovuti all'uso di questo manuale o dei prodotti descritti nel presente manuale.*



R.V.R. ELETTRONICA S.p.a. – Via del Fonditore, 2/2c – Zona Roveri  
40138 BOLOGNA – ITALY  
TEL.: (+39) 051 6010506 FAX: (+39) 051 6011104  
e-mail: [info@rvr.it](mailto:info@rvr.it) – <http://www.rvr.it>



TELECOMUNICAZIONI FERRARA SRL

Sales Office and Plants: Telecomunicazioni Ferrara S.r.l. Via Dei Calzolari, 156  
44100 FRANCOLINO (FERRARA) – ITALY  
TEL.: (+39) 0532.72.40.33 FAX: (+39) 0532.72.48.19  
E-Mail: [info@telecfe.it](mailto:info@telecfe.it) [www.telecfe.it](http://www.telecfe.it)

The firm reserve the right to change without prior notice the information contained in this brochure. Whilst every effort is made to ensure that details are correct at time of print, the firm cannot be held responsible for any error.