

Model : ACPO

- **Band II**
- **FM Band 87.5÷108 MHz**
- **Tuned antenna**
- **True circular polarization**
- **Stainless steel AISI 304**



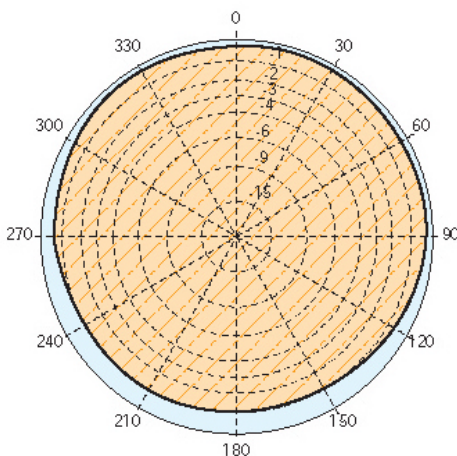
ELECTRICAL DATA

Frequency range	87.5÷108 MHz
Impedance	50 Ohm
Connectors	N female
Max Power	800W (N female)
VSWR ± 100KHz	≤ 1.1:1
Polarization	Right circular
Gain	-3.4 dB
Pattern	Omnidirectional ± 1.5 dB in free space Omnidirectional ± 3 dB with 100 mm dia. pole
Lightning protection	All metal parts DC grounded

MECHANICAL DATA

Dimensions	1000x300x800 mm
Net Weight	3 Kg without clamp 5.5 Kg with clamp
Wind surface	0.036 m ²
Wind load	6 kg (wind speed at 160 km/h)
Max wind velocity	220 km/h.
Materials	External parts: stainless steel Internal parts: silver plated brass
Mounting	With special pipe clamps 50 ÷ 110 mm dia.

RADIATION PATTERN (MID BAND)



H-plane

DIMENSIONS

