

# MODEL FFC10/C

- **BAND-PASS FILTER**
- **FM BAND 87.5-108 MHz**
- **BAND II**

**THESE ARE TWO STANDARD RESONANT CAVITY FILTERS, AND IN THE SPECIAL VERSION WITH 3 AND 4. ALL THE MODELS ARE USED TO MAKE UP MIXERS WITH SEVERAL CHANNELS.**

The pass band filters was designed as an extension of our band pass combiner technology. Using our industry-leading square, cavity filter design, the filter provides a one-time-buy filtering solution for the broadcaster located at multiple-user site. The filter isolates the transmission system to eliminate spurious emissions.

| TYPICAL SPECIFICATIONS |   |
|------------------------|---|
| Model                  | FFC10/C (compact version)   |
| Impedance              | 50 ohm  |
| Frequency Range        | 87.5-108 MHz  |
| VSWR ± 150 KHz         | 1.1:1 max   |
| Insertion Loss         | ≤ 0.15 dB   |
| Return Loss ± 150 KHz  | ≤ -26 dB  |
| Rejection              | per customer's requirements<br>(Typical ± 1MHz it's even to -14dB)              |
| Connectors             | 1+5/8" Input – Output (Option 3+1/8" )  |
| Max Power              | 10 KW   |
| Working Temperature    | -20°C ÷ +50°C   |
| Colour                 | Enamel Gray Ral 7001  |
| Materials              | Aluminium, Brass, Copper, PTFE, Stainless Steel, Silvering (min 12µm thickness) |

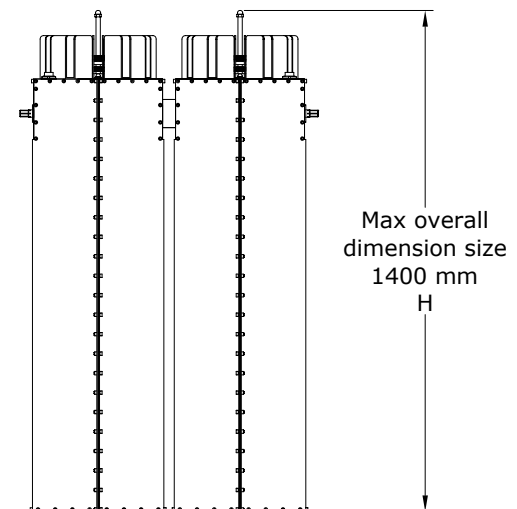
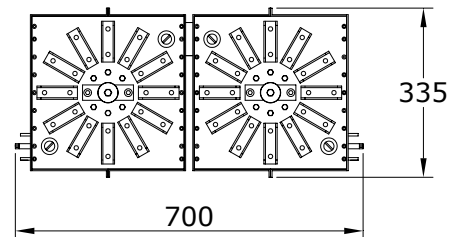
**Features:**

- Modular design
- Distortion – Free Transmission
- Standard configuration of 2 cavities
- Special configuration 3 and 4 cavities
- Low loss, high isolation
- Forced air cooling

|                   |   |
|-------------------|---|
| <b>Dimensions</b> | 1400(Max size)×700×335 mm (55.1(Max size)×27.5×13.2 inch) (H×L×W) |
| <b>Net Weight</b> | ≅ 46 Kg (double cavity)   |



OUTPUT 90° OPTION



Typical shape of a curves for S11 and S21 parameters

