

MODEL FFC08-FFC2-FFC2/78

- **BAND-PASS FILTER**
- **FM BAND 87.5-108 MHz**
- **BAND II**

THESE ARE TWO STANDARD RESONANT CAVITY FILTERS, AND IN SPECIAL VERSION WITH 3 AND 4. ALL THE MODELS ARE USED TO MAKE UP MIXERS WITH SEVERAL CHANNELS.

The pass band filters was designed as an extension of our band pass combiner technology. Using our industry-leading square, cavity filter design, the filter provides a one-time-buy filtering solution for the broadcaster located at multiple-user site. The filter isolates the transmission system to eliminate spurious emissions.



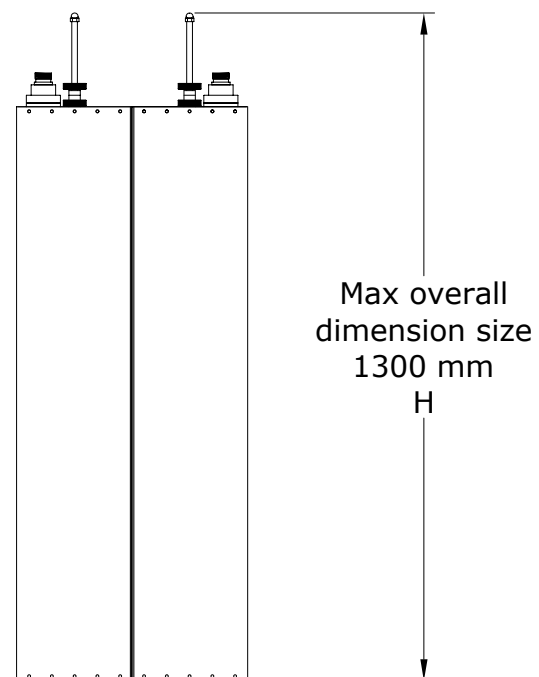
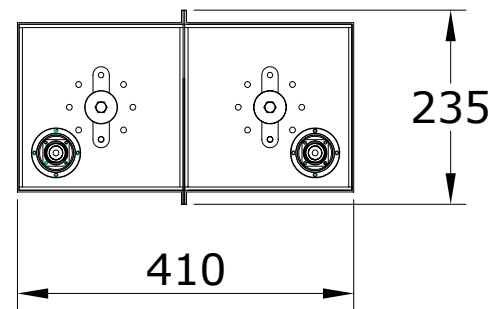
TYPICAL SPECIFICATIONS

Models	FFC08-FFC2-FFC2/78
Impedance	50 ohm
Frequency Range	87.5-108 MHz
VSWR ± 150 KHz	1.1:1 Max
Insertion Loss	at f_0 0.28 dB Max
Return Loss ± 150 KHz	≤ -26dB
Rejection	per customer's requirements (Typical ± 1MHz it's even to -14dB)
Connectors	FFC08 - N Input-Output FFC2 - 7/16" Input-Output FFC2/78 - 7/8" EIA Input-Output
Max Power	2KW (FFC2-FFC2/78) 800 Watts (FFC08)
Working Temperature	-20°C ÷ +50°C
Colour	Enamel Gray Ral 7001
Materials	Aluminium, Brass, Copper, PTFE, Stainless Steel, Silvering (min 12µm thickness)

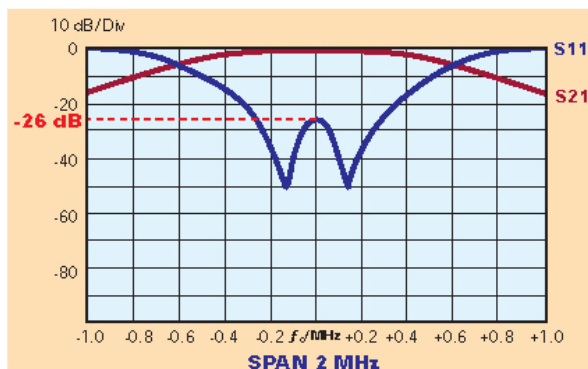
Features:

- Distortion – Free Transmission
- Standard configuration of 2 cavities
- Special configuration 3 and 4 cavities
- Low loss, high isolation
- Natural convection

Dimensions	1300(Max size)×410×235 mm (51.2(Max size)×16.1×9.2 inch) (H×L×W)
Net Weight	≅ 20 Kg (double cavity)



Typical shape of a curves for S11 and S21 parameters



“These specifications are subject to change without notice”