

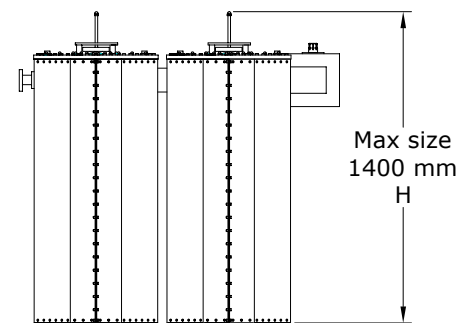
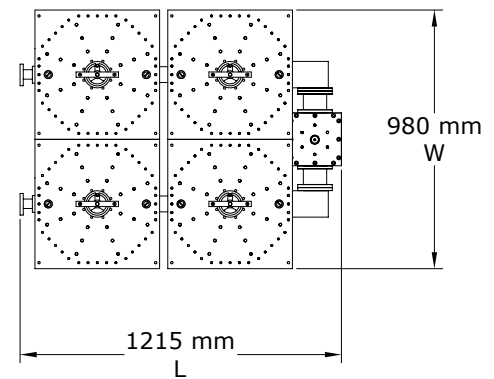
MODEL FDCSDC20

- **COMBINER 2 CHANNELS**
- **TYPE STAR POINT**
- **FM BAND 87.5÷108 MHz**
- **BAND II**

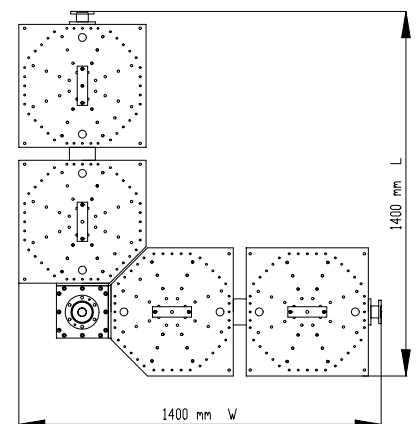
The star combiner basically consist of parallel connecting several transmitters to a single antenna system through suitable band pass filters, each on tuned transmitter frequency to witch it's connected. The parallel connection is obtained by means of coaxial lines of determined length, so as provide for adequate isolation between transmitters.



TYPICAL SPECIFICATIONS	
Model	FDCSDC20 – Type STAR POINT
Impedance	50 Ohm
Frequency Range	87.5-108 MHz
VSWR ±150KHz	1.1:1 max
Insertion Loss	at f_0 0.1 dB max
Return Loss ±150KHz	≤ -26dB
Isolation ±1.5MHz	≥ 30 dB
Input Number	2
Output Number	1
Connectors	Input 3+1/8" Output 3+1/8"
Max Power	20KW × 2 Channels
Working Temperature	-20°C ÷ +50°C
Colour	Enamel Gray Ral 7001
Materials	Aluminium, Brass, Copper, PTFE, Stainless Steel, Silvering (min.12µm thickness)



STANDARD CONFIGURATION



OPTIONAL CONFIGURATION

Features:

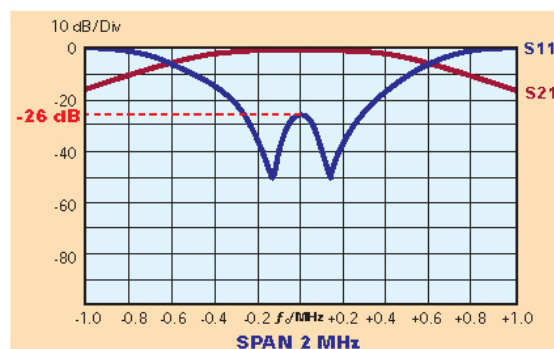
- Distortion – Free Transmission
- Star point system with double pass-band cavity filters (standard configurations)
- Star point system with triple pass-band cavity filters
- Star point system with pass stop
- Low loss, high isolation
- Natural convection
- Option Group delay equalizer

STANDARD CONFIGURATION

Dimensions	1400(Max size)×1215×980 mm (55.1(Max size)×47.8×38.6 inch) (H×L×W)
Net Weight	≅ 150 Kg (double cavity)

OPTIONAL CONFIGURATION

Dimensions	1400(Max size)×1400×1400 mm (55.1(Max size)×55.1×55.1 inch) (H×L×W)
Net Weight	≅ 150 Kg (double cavity)



"These specifications are subject to change without notice"

