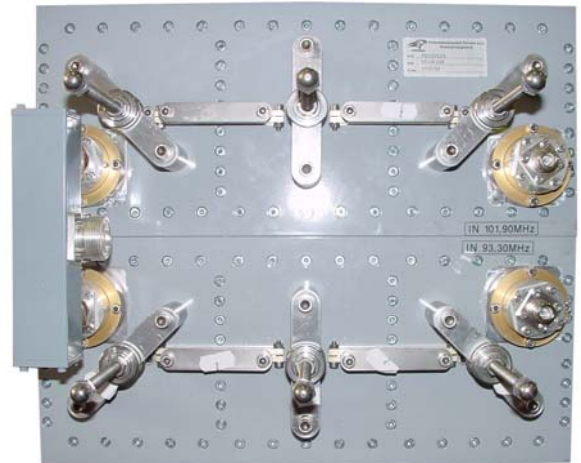


MODEL FDCSTC05

- **COMBINER 2 CHANNELS**
- **TYPE STAR POINT**
- **RACK VERSION OPTION**
- **FM BAND 87.5÷108 MHz**
- **BAND II**
- **OPTION**



Model	Input Connector	Output Connector	Power Input	Power Output
FDCSTC05-1	7/16"	7/16"	600W	1200W
FDCSTC05-2	7/16"	7/8"	600W	1200W

The star combiner basically consist of parallel connecting several transmitters to a single antenna system through suitable band pass filters, each on tuned transmitter frequency to witch it's connected. The parallel connection is obtained by means of coaxial lines of determined length, so as provide for adequate isolation between transmitters.

TYPICAL SPECIFICATIONS

Model	FDCSTC05 – Type STAR POINT	
Impedance	50 Ohm	
Frequency Range	87.5-108 MHz	
VSWR ±150 KHz	1.1:1 max	
Insertion Loss	at f_0 0.65 dB max	
Return Loss ±150Khz	≤ -26 dB	
Isolation ±1.6MHz	≥ 30 dB	
No. Input	2	
No. Output	1	
Connectors standard	Input N	Output 7/16 (See table)
Max Power	600 W × 2 CHANNELS	
Working Temperature	-20°C ÷ +50°C	
Colour	Enamel Gray Ral 7001	
Materials	Aluminium, Brass, Copper, PTFE, Stainless Steel, Silvering (min 12µm thickness)	

Features:

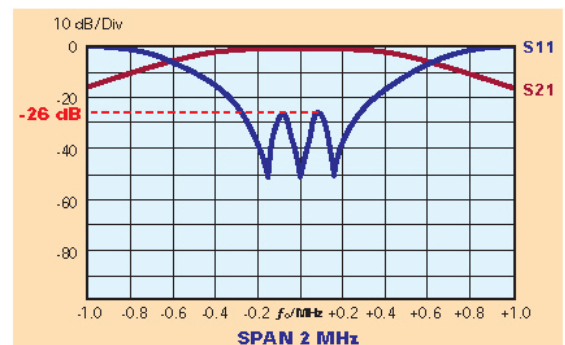
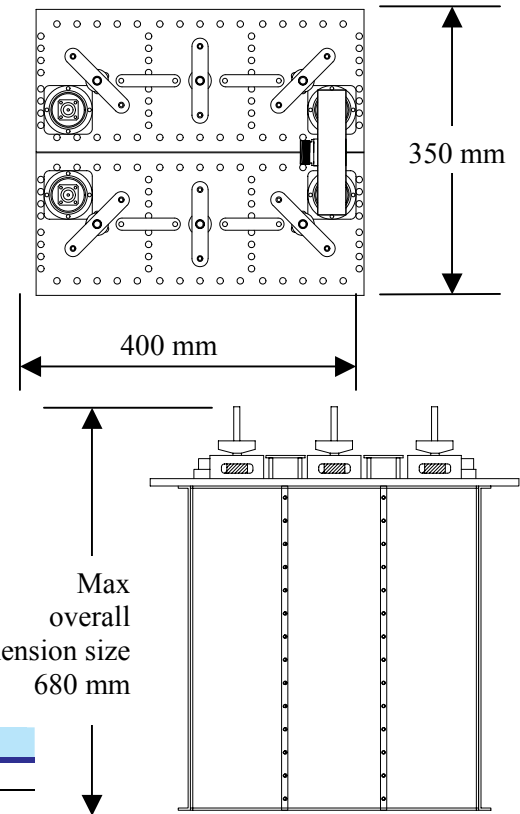
- Distortion – Free Transmission
- Low loss, high isolation
- Natural convection

Standard version

Dimensions	400×350×680 mm (15.7×13.8×26.8 inch) (H×L×W)
Net Weight	≅ 40 Kg

Rack version (optional)

Panel Size	8 HE (1 HE=44,45 mm)
Net Weight	≅ 40 Kg



Typical shape of a curves for S11 and S12 parameters for single filter

“These specifications are subject to change without notice”