

# MODEL FMT 12K-FMT30K-FMT40K

- FINE MATCHER
- FM BAND 87.5÷108 MHz
- Band II
- FINE TUNED ANTENNA FOR MINIMUM VSWR

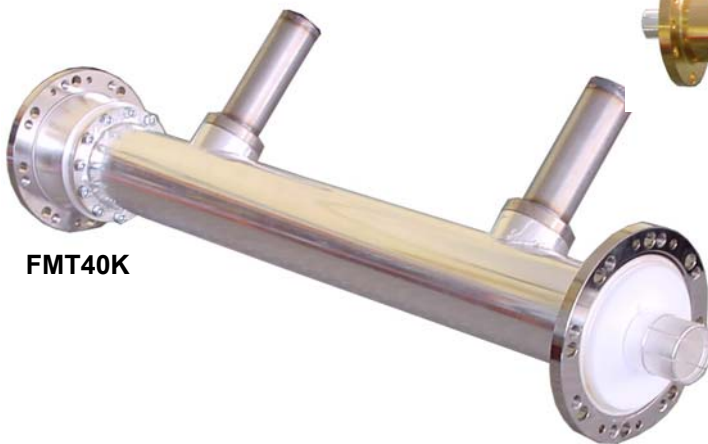


FMT12K

Although the TELECOMUNICAZIONI FERRARA antennas are tuned at the factory to provide a low standing wave ratio for the operating channel, when an antenna is mounted on a conductive metal object such as a tower or a pole its VSWR naturally increases. The fine matcher provides the user a quick and easy way to optimize the antenna for the absolute minimum VSWR and released signal degradation. With this device, tuning can be accomplished in a fraction of the time that it take to tune competitive antennas without having to disassemble the feed-line. Tuning can even be accomplished without loss of system pressure.



FMT30K

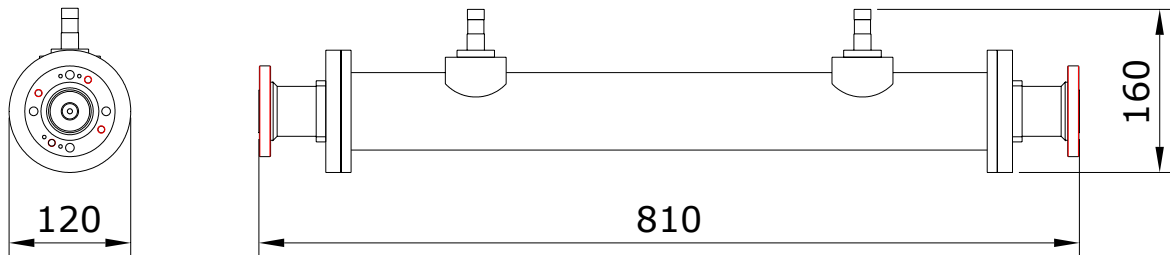


FMT40K

## TYPICAL SPECIFICATIONS

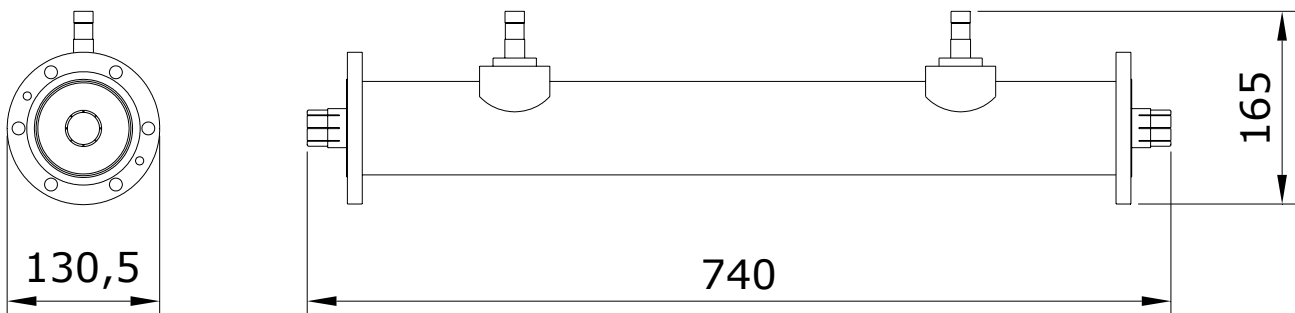
<b>Model</b>	FMT12K - FMT30K – FMT40K
<b>Impedance</b>	50 ohm
<b>Frequency Range</b>	87.5-108 MHz
<b>Insertion Loss</b>	0.05 dB Max
<b>Connectors</b>	Input-Output 1+5/8" (Opt. 7/8") FMT12K Input-Output 3+1/8" FMT30K Input-Output 4+1/2" FMT40K
<b>Max Power</b>	12-30-40KW
<b>Working Temperature</b>	-20°C ÷ +50°C
<b>Colour</b>	Enamel Gray Ral 7001
<b>Materials</b>	Aluminium, Brass, Copper, PTFE, Stainless Steel, Silvering (min 12µm thickness)

**FINE MATCHER 12 KW (FMT12K)**

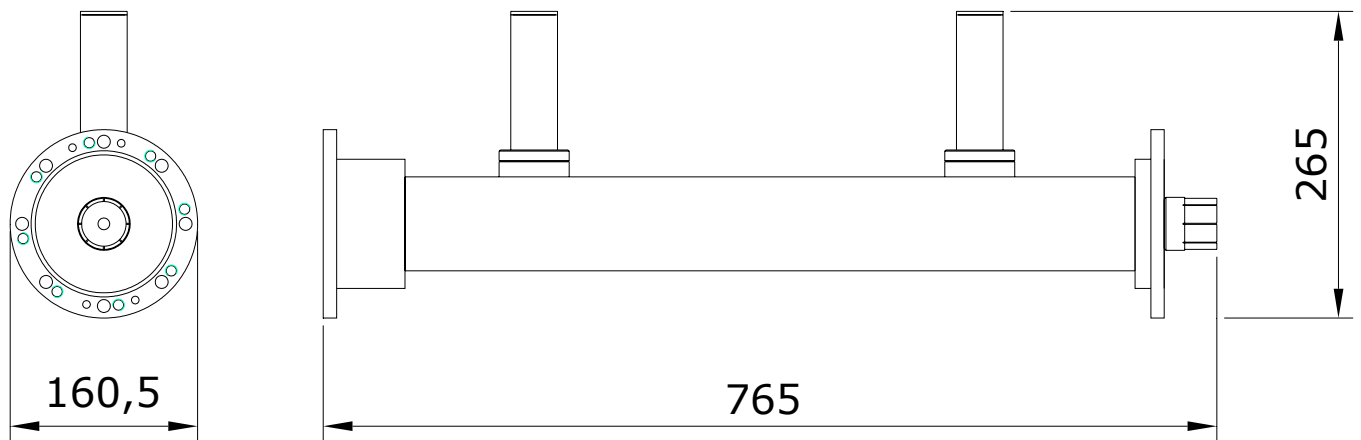


<b>Dimensions</b>	160× 810×120 mm (6.3×31.9×4.7 inch) (H×L×W)
<b>Net Weight</b>	≅ 15 Kg approx.

**FINE MATCHER 30 KW (FMT30K)**



<b>Dimensions</b>	165×740×130,5 mm (6.5×29.1×5.1inch) (H×L×W)
<b>Net Weight</b>	≅ 15 Kg approx.

**FINE MATCHER 40 KW (FMT40K)**

<b>Dimensions</b>	265×765×160,5 mm (10.4×30.1×6.3 inch) (H×L×W)
<b>Net Weight</b>	≅ 20 Kg approx.