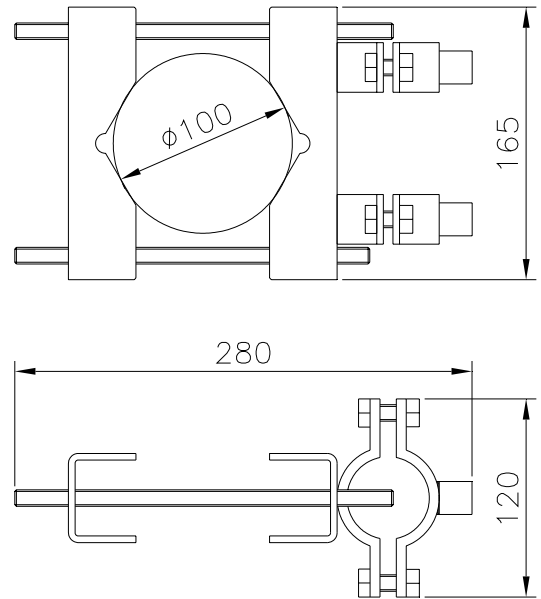
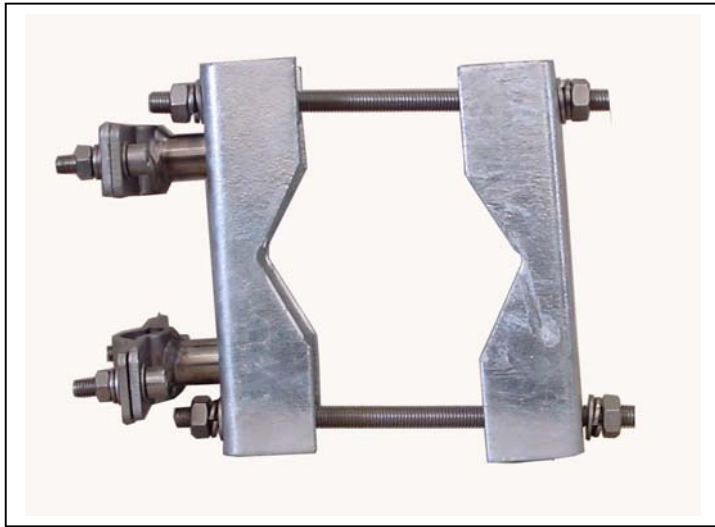


SUPPORT

STANDARD CLAMP



REINFORCED CLAMP (DOUBLE CLAMP)

